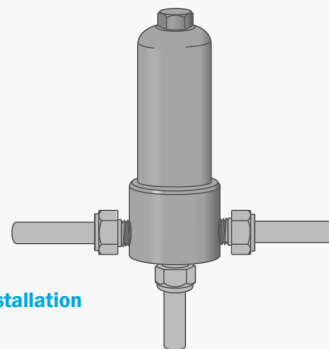


# Coalescing - SV Housings

## SV Coalescing Filter Housings

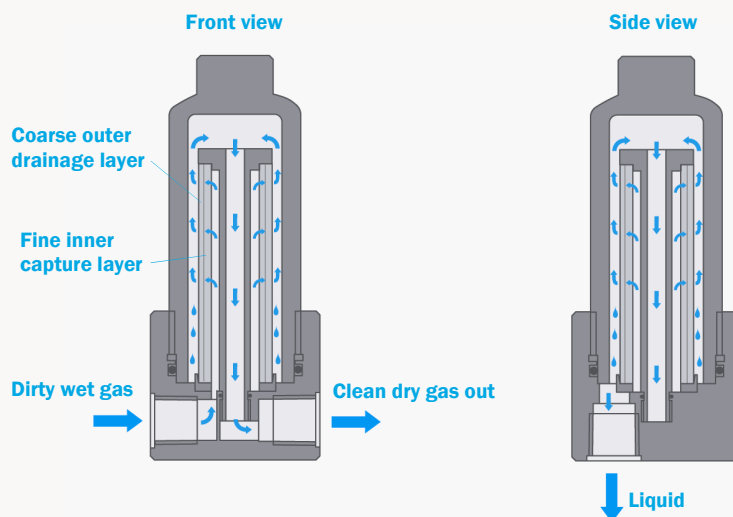
The SV series housings are designed for coalescing applications where fast and easy access to the filter element is required.

The housings are arranged so that all the ports, including the drain port, are in the head. This means that the drain fittings and pipe do not have to be disconnected to get access to the filter element.



Typical Installation

The advantage of the SV series over other “quick service” coalescing housings is that the filter element is kept in the vertical position. This is the correct orientation for efficient coalescing. Filter housings with coalescing elements arranged in the horizontal position are prone to flooding and liquid carry-over.



Several sizes of housing are available to suit a wide range of line sizes, flow rates and pressures. Special housings can also be designed and manufactured to suit individual applications.