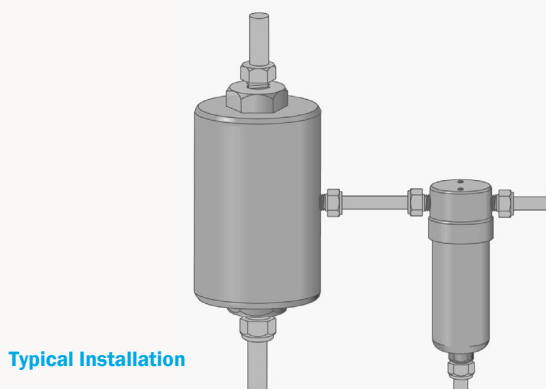


Fast Loop Filtration

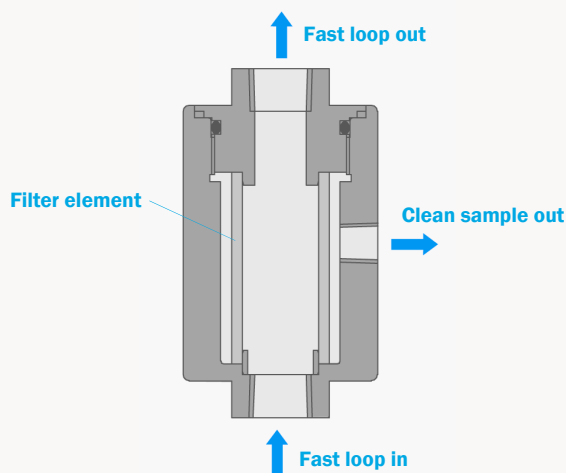
Fast Loop Filter Housings

Fast loop filters are specified for process sample systems. The straight through design is ideal for heavy contamination since the filter element is continuously flushed by the high flow-rate stream. Only the low flow stream to the analyser is filtered maximizing filter element life.

Traditionally three port T-shape filter housings have been used for fast loop or bypass applications, but these do not have the advantage of continued flushing on the filter element.



Fast loop filters use an axial velocity to flush heavy contaminants down stream, while the sample passes through the filter element wall with low flow. The fast loop filter housings are designed with a very low volume to maximise response time. For best results, a 4 to 1 flow rate should be maintained for efficient continuous flushing.



Several sizes of housing are available to suit a wide range of line sizes, flow rates and pressures. Special housings can also be designed and manufactured to suit individual applications.