

Installing the Filter Housing

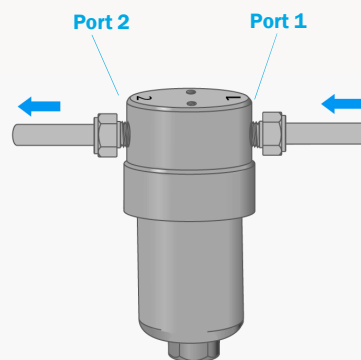
Installing the Filter Housing

As the filter housing is a pressure vessel the system connections and accessory outlets must be leak tight. It is normally good practice to use a pipe sealant on the fittings prior to connecting to the filter housing ports. This will allow disassembly at a later time, if required. Any sealant such as PTFE tape, paste or other compound may be used if compatible with the filtered media.

Wherever possible, installation of filter housings should be made using an appropriate mounting bracket to avoid excessive loads on the piping.

Particulate Filtration

If the filter housing is being used to remove solid particulates from a gas or liquid, the flow direction through the filter element should be from the outside-to-inside direction. Most housings have an arrow showing the correct direction. If the ports are numbered, port 1 is the inlet and port 2 the outlet.



Coalescing Filtration

If the application is coalescing install the housing so the flow is in the opposite direction, inside-to-outside through the filter element. In this case port 2 is the inlet and port 1 the outlet.

