

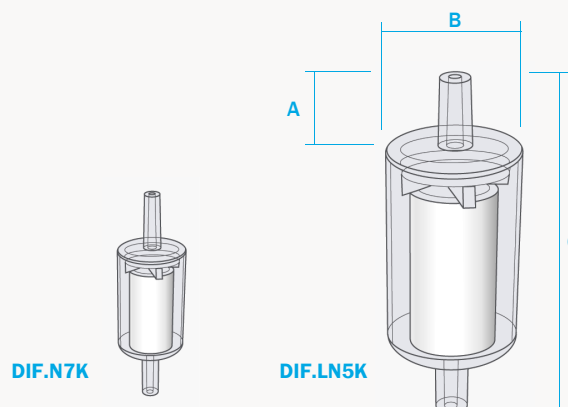
Disposable In-Line Filters - DIF

Polyamide or PVDF

Pressure, 8 Bar

1/4" or 1/2" Spigots or 1/4"NPT

Element, 12.32.□ or 25.64.□



Disposable In-Line Filters (DIF) consist of permanently welded housings with encapsulated microfibre filter elements. This makes them ideal for portable analysers and other analysis systems requiring a robust and easily replaceable filter.

A choice of body materials makes them suitable for a wide range of chemical environments. The units on this page are designed for particulate removal in gas and liquid applications. The K type filter element is fitted as standard, but other element types can also be installed.

Replace the □ in the part number with the grade required.

Principal Specifications

Housing Model (1)	DIF.N□	DIF.K□	DIF.LN□	DIF.LN□.201	DIF.LK□	DIF.LK□.201
Connection Size	Ø1/4"	Ø1/4"	Ø1/2"	1/4"NPT	Ø1/2"	1/4"NPT
Maximum Pressure - Bar	8	8	8	8	8	8
Maximum Temperature						
°C at 0 Bar	110	120	110	110	120	120
°C at Maximum Pressure	50	50	50	50	50	50
Materials of Construction (2)						
Body	PA	PVDF	PA	PA	PVDF	PVDF
Standard Filter Element	K Type	K Type	K Type	K Type	K Type	K Type
Principal Dimensions						
A - mm	20	20	24	24	24	24
B - mm	25	25	51	51	51	51
C - mm	83	83	127	127	127	127
Volume - cc	11	11	110	110	110	110
Filter Element Size (1)	12.32.□	12.32.□	25.64.□	25.64.□	25.64.□	25.64.□

Notes (1) Replace the □ with the grade required, e.g. 5K, 6K, 7K etc.

(2) Material abbreviations - PA = Polyamide, PVDF = Polyvinylidenedifluoride