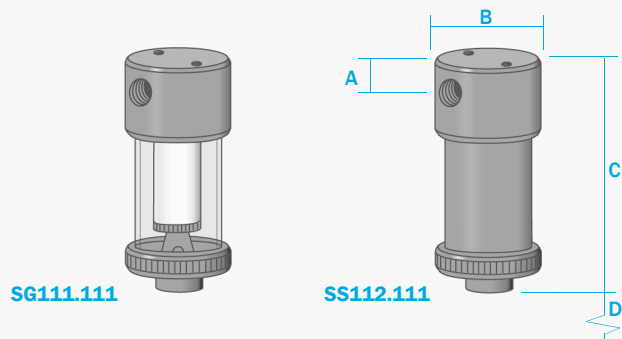


SGIII and SSII2 Series Housings

316L Stainless Steel & Glass
Pressure, 7 or 10 Bar
Ports, 1/8" or 1/4"
Element, 12.32.□



The SG111 and SS112 series filter housings are specified for 1/8" & 1/4" line size applications at low pressure. For applications over 10 Bar the SS117 housings are available. The housings are constructed from 316L stainless steel with a stainless steel or Pyrex glass bowl. The Pyrex bowl is also fitted with a bowl guard, this is not shown.

Standard housings have NPT ports and include Viton gaskets. Other gaskets types are available as an option. BSPT and BSPP port types are also available.

The housings are free from welds and comply with NACE MR-01-75.

Principal Specifications

Housing Model	SG111.111	SG111.211	SG111.221	SS112.111	SS112.211	SS112.221
Port Size - NPT	1/8"	1/4"	1/4"	1/8"	1/4"	1/4"
Drain - NPT	1/8"	1/8"	1/4"	1/8"	1/8"	1/4"
Maximum Pressure - Bar	7	7	7	10	10	10
Maximum Temperature - °C	100	100	100	200	200	200
Materials of Construction (1)						
Head & Internals	316L	316L	316L	316L	316L	316L
Bowl	Pyrex	Pyrex	Pyrex	316L	316L	316L
Gaskets	Viton	Viton	Viton	Viton	Viton	Viton
Principal Dimensions						
A - mm	12	12	12	12	12	12
B - mm	40	40	40	40	40	40
C - mm	85	85	92	85	85	92
D - mm	18	18	18	18	18	18
Volume - cc	26	26	26	26	26	26
Weight - kg	0.35	0.35	0.35	0.35	0.35	0.35
Accessories						
Standard Gasket Set	GVSG111	GVSG111	GVSG111	GVSG111	GVSG111	GVSG111
PTFE Gasket Set	GTSG111	GTSG111	GTSG111	GTSG111	GTSG111	GTSG111
Kalrez Gasket Set	GKSG111	GKSG111	GKSG111	GKSG111	GKSG111	GKSG111
Nitrile Gasket Set	GNSG111	GNSG111	GNSG111	GNSG111	GNSG111	GNSG111
EPDM Gasket Set	GESG111	GESG111	GESG111	GESG111	GESG111	GESG111
Support Core	SCSS11	SCSS11	SCSS11	SCSS11	SCSS11	SCSS11
Mounting Bracket	MBSS11	MBSS11	MBSS11	MBSS11	MBSS11	MBSS11
Filter Element Code (2)	12.32.□	12.32.□	12.32.□	12.32.□	12.32.□	12.32.□

Notes (1) Materials abbreviations - 316L = 316L Stainless Steel, PTFE = Polytetrafluoroethene, EPDM = Ethylene-Propylene
(2) Replace the □ with the grade required, e.g. 12.32.5CK, 12.32.S25V, 12.32.T20