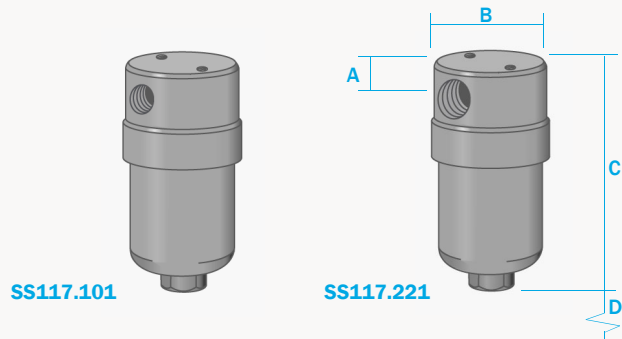


SS117 Series Housings

316L Stainless Steel
Pressure, 340 Bar
Ports, 1/8" or 1/4"
Element, 12.32.□



The SS117 series housings are specified for 1/8" and 1/4" line size applications where response times are critical. When the flow rate or contamination is higher, or where service intervals must be kept as long as possible the SS127 series housings should be considered. For applications over 340 Bar high pressure versions are available, see the SS119 series.

Standard housings have NPT ports and include Viton gaskets. Other gaskets types are available as an option. BSPT and BSPP port types are also available.

The housings are free from welds and comply with NACE MR-01-75.

Principal Specifications

Housing Model	SS117.101	SS117.111	SS117.201	SS117.221
Port Size - NPT	1/8"	1/8"	1/4"	1/4"
Drain - NPT	None	1/8"	None	1/4"
Maximum Pressure - Bar (1)	340	340	340	340
Maximum Temperature - °C (2)	200	200	200	200
Materials of Construction (3)				
Head, Bowl & Internals	316L	316L	316L	316L
Gaskets	Viton	Viton	Viton	Viton
Principal Dimensions				
A - mm	10	10	10	10
B - mm	36	36	36	36
C - mm	74	74	74	74
D - mm	40	40	40	40
Volume - cc	15	15	15	15
Weight - kg	0.4	0.4	0.4	0.4
Accessories				
Standard Gasket Set	GVSS117	GVSS117	GVSS117	GVSS117
PTFE Gasket Set	GTSS117	GTSS117	GTSS117	GTSS117
High Temperature Gasket	GHSS117	GHSS117	GHSS117	GHSS117
Kalrez Gasket Set	GKSS117	GKSS117	GKSS117	GKSS117
Nitrile Gasket Set	GNSS117	GNSS117	GNSS117	GNSS117
EPDM Gasket Set	GESS117	GESS117	GESS117	GESS117
Support Core	SCSS11	SCSS11	SCSS11	SCSS11
Mounting Bracket	MBSS11	MBSS11	MBSS11	MBSS11
Filter Element Code (4)	12.32.□	12.32.□	12.32.□	12.32.□

- Notes** (1) Above 200°C the pressure rating is reduced, consult us for the exact rating at any specific temperature.
(2) Maximum temperature 200°C using standard seals. For up to 450°C use a high temperature gasket.
(3) Material abbreviations - 316L = 316L Stainless Steel, PTFE = Polytetrafluoroethylene, EPDM = Ethylene-Propylene
(4) Replace the □ with the grade required, e.g. 12.32.5CK, 12.32.S25V, 12.32.T20