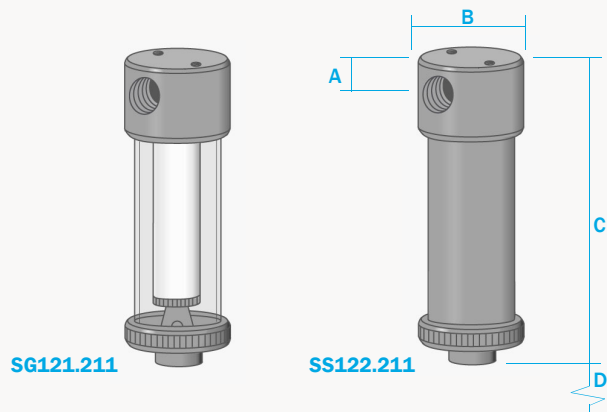


SG121 and SS122 Series Housings

316L Stainless Steel
Pressure, 7 or 10 Bar
Ports, 1/8" or 1/4"
Element, 12.57.□



The SG121 and SS122 series filter housings are specified for 1/8" & 1/4" line size applications at low pressure. For applications over 10 Bar the SS127 housings are available. The housings are constructed from 316L stainless steel with a stainless steel or Pyrex glass bowl. The Pyrex bowl is also fitted with a bowl guard, this is not shown.

Standard housings have NPT ports and include Viton gaskets. Other gaskets types are available as an option. BSPT and BSPP port types are also available.

The housings are free from welds and comply with NACE MR-01-75.

Principal Specifications

| Housing Model | SG121.111 | SG121.211 | SG121.221 | SS122.111 | SS122.211 | SS122.221 |
|--------------------------------------|-----------|-----------|-----------|-----------|-----------|-----------|
| Port Size - NPT | 1/8" | 1/4" | 1/4" | 1/8" | 1/4" | 1/4" |
| Drain - NPT | 1/8" | 1/8" | 1/4" | 1/8" | 1/8" | 1/4" |
| Maximum Pressure - Bar | 7 | 7 | 7 | 10 | 10 | 10 |
| Maximum Temperature - °C | 100 | 100 | 100 | 200 | 200 | 200 |
| Materials of Construction (1) | | | | | | |
| Head & Internals | 316L | 316L | 316L | 316L | 316L | 316L |
| Bowl | Pyrex | Pyrex | Pyrex | 316L | 316L | 316L |
| Gaskets | Viton | Viton | Viton | Viton | Viton | Viton |
| Principal Dimensions | | | | | | |
| A - mm | 12 | 12 | 12 | 12 | 12 | 12 |
| B - mm | 40 | 40 | 40 | 40 | 40 | 40 |
| C - mm | 110 | 110 | 117 | 110 | 110 | 117 |
| D - mm | 42 | 42 | 42 | 42 | 42 | 42 |
| Volume - cc | 30 | 30 | 30 | 30 | 30 | 30 |
| Weight - kg | 0.37 | 0.37 | 0.37 | 0.37 | 0.37 | 0.37 |
| Accessories | | | | | | |
| Standard Gasket Set | GVSG111 | GVSG111 | GVSG111 | GVSG111 | GVSG111 | GVSG111 |
| PTFE Gasket Set | GTSG111 | GTSG111 | GTSG111 | GTSG111 | GTSG111 | GTSG111 |
| High Temperature Gasket | GHSG111 | GHSG111 | GHSG111 | GHSG111 | GHSG111 | GHSG111 |
| Kalrez Gasket Set | GKSG111 | GKSG111 | GKSG111 | GKSG111 | GKSG111 | GKSG111 |
| Nitrile Gasket Set | GNSG111 | GNSG111 | GNSG111 | GNSG111 | GNSG111 | GNSG111 |
| EPDM Gasket Set | GESG111 | GESG111 | GESG111 | GESG111 | GESG111 | GESG111 |
| Support Core | SCSS12 | SCSS12 | SCSS12 | SCSS12 | SCSS12 | SCSS12 |
| Mounting Bracket | MBSS11 | MBSS11 | MBSS11 | MBSS11 | MBSS11 | MBSS11 |
| Filter Element Code (2) | 12.57.□ | 12.57.□ | 12.57.□ | 12.57.□ | 12.57.□ | 12.57.□ |

Notes (1) Material abbreviations - 316L = 316L Stainless Steel, PTFE = Polytetrafluoroethene, EPDM = Ethylene-Propylene

(2) Replace the □ with the grade required, e.g. 12.57.5CK, 12.57.S25V, 12.57.T20