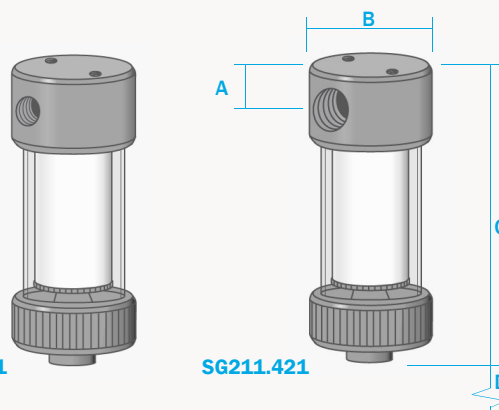


SG2II Series Housings

316L Stainless Steel & Glass
Pressure, 7 Bar
Ports, 1/4" or 1/2"
Element, 25.64.□



The SG211 series filter housings are specified for 1/4" & 1/2" line size applications at low pressure. They are constructed from 316L stainless steel and have a Pyrex glass bowl with a stainless steel bowl guard, this is not shown. For applications over 7 Bar the SS212 and SS215 housings are available.

Standard housings have NPT ports and include Viton gaskets. Other gaskets types are available as an option. BSPT and BSPP port types are also available.

The housings are free from welds and comply with NACE MR-01-75.

Principal Specifications

Housing Model	SG211.211	SG211.221	SG211.411	SG211.421
Port Size - NPT	1/4"	1/4"	1/2"	1/2"
Drain - NPT	1/8"	1/4"	1/8"	1/4"
Maximum Pressure - Bar	7	7	7	7
Maximum Temperature - °C	100	100	100	100
Materials of Construction (1)				
Head & Internals	316L	316L	316L	316L
Bowl	Pyrex	Pyrex	Pyrex	Pyrex
Gaskets	Viton	Viton	Viton	Viton
Principal Dimensions				
A - mm	15	15	15	15
B - mm	56	56	56	56
C - mm	131	131	131	131
D - mm	70	70	70	70
Volume - cc	110	110	110	110
Weight - kg	1.1	1.1	1.1	1.1
Accessories				
Standard Gasket Set	GVSG211	GVSG211	GVSG211	GVSG211
PTFE Gasket Set	GTSG211	GTSG211	GTSG211	GTSG211
Kalrez Gasket Set	GKSG211	GKSG211	GKSG211	GKSG211
Nitrile Gasket Set	GNSG211	GNSG211	GNSG211	GNSG211
EPDM Gasket Set	GESG211	GESG211	GESG211	GESG211
Support Core	SCSS21	SCSS21	SCSS21	SCSS21
Mounting Bracket	MBSS21	MBSS21	MBSS21	MBSS21
Filter Element Code (2)	25.64.□	25.64.□	25.64.□	25.64.□

Notes (1) Material abbreviations - 316L = 316L Stainless Steel, PTFE = Polytetrafluoroethene, EPDM = Ethylene-Propylene

(2) Replace the □ with the grade required, e.g. 25.64.5CK, 25.64.S25V, 25.64.T20