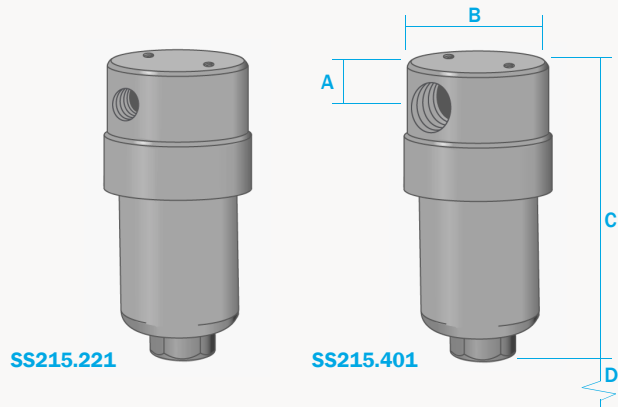


SS215 Series Housings

316L Stainless Steel
Pressure, 100 Bar
Ports, 1/4" or 1/2"
Element, 25.64.□



The SS215 series filter housings are specified for 1/4" line size applications and for 1/2" applications where response time must be kept short. If the flow rate or contamination is high, or where service intervals must be kept as long as possible, SS235 series housings should be considered. For applications over 100 Bar high pressure versions are available, see the SS216 and SS218 series.

Standard housings have NPT ports and include Viton gaskets. Other gaskets types are available as an option. BSPT and BSPP port types are also available.

The housings are free from welds and comply with NACE MR-01-75.

Principal Specifications

Housing Model	SS215.201	SS215.221	SS215.401	SS215.421	SS215.441
Port Size - NPT	1/4"	1/4"	1/2"	1/2"	1/2"
Drain - NPT	None	1/4"	None	1/4"	1/2"
Maximum Pressure - Bar (1)	100	100	100	100	100
Maximum Temperature - °C (2)	200	200	200	200	200
Materials of Construction (3)					
Head, Bowl & Internals	316L	316L	316L	316L	316L
Gaskets	Viton	Viton	Viton	Viton	Viton
Principal Dimensions					
A - mm	15	15	15	15	15
B - mm	60	60	60	60	60
C - mm	127	127	127	127	127
D - mm	75	75	75	75	75
Volume - cc	110	110	110	110	110
Weight - kg	1.3	1.3	1.3	1.3	1.3
Accessories					
Standard Gasket Set	GVSS215	GVSS215	GVSS215	GVSS215	GVSS215
PTFE Gasket Set	GTSS215	GTSS215	GTSS215	GTSS215	GTSS215
High Temperature Gasket	GHSS215	GHSS215	GHSS215	GHSS215	GHSS215
Kalrez Gasket Set	GKSS215	GKSS215	GKSS215	GKSS215	GKSS215
Nitrile Gasket Set	GNSS215	GNSS215	GNSS215	GNSS215	GNSS215
EPDM Gasket Set	GESS215	GESS215	GESS215	GESS215	GESS215
Support Core	SCSS21	SCSS21	SCSS21	SCSS21	SCSS21
Mounting Bracket	MBSS21	MBSS21	MBSS21	MBSS21	MBSS21
Filter Element Code (4)	25.64.□	25.64.□	25.64.□	25.64.□	25.64.□

- Notes** (1) Above 200°C the pressure rating is reduced, consult us for the exact rating at any specific temperature.
(2) Maximum temperature 200°C using standard seals. For up to 450°C use a high temperature gasket.
(3) Material abbreviations - 316L = 316L Stainless Steel, PTFE = Polytetrafluoroethylene, EPDM = Ethylene-Propylene
(4) Replace the □ with the grade required, e.g. 25.64.5CK, 25.64.S25V, 25.64.T20