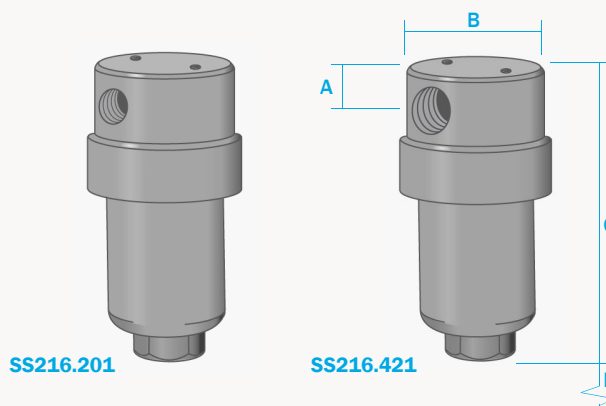


SS216 Series Housings

**316L Stainless Steel
Pressure, 200 Bar
Ports, 1/4" or 1/2"
Element, 25.64.□**



The SS216 series filter housings are specified for 200 Bar 1/4" line size applications and for 1/2" applications where response time must be kept short. If the flow rate or contamination is high, or where service intervals must be kept as long as possible, SS236 series housings should be considered. For applications less than 100 Bar see the SS212 and SS215 series and for over 200 Bar see the SS218 series.

Standard housings have NPT ports and include Viton gaskets. Other gaskets types are available as an option. BSPT and BSPP port types are also available.

The housings are free from welds and comply with NACE MR-01-75.

Principal Specifications

Housing Model	SS216.201	SS216.221	SS216.401	SS216.421	SS216.441
Port Size - NPT	1/4"	1/4"	1/2"	1/2"	1/2"
Drain - NPT	None	1/4"	None	1/4"	1/2"
Maximum Pressure - Bar (1)	200	200	200	200	200
Maximum Temperature - °C (2)	200	200	200	200	200
Materials of Construction (3)					
Head, Bowl & Internals	316L	316L	316L	316L	316L
Gaskets	Viton	Viton	Viton	Viton	Viton
Principal Dimensions					
A - mm	15	15	15	15	15
B - mm	64	64	64	64	64
C - mm	129	129	129	129	129
D - mm	70	70	70	70	70
Volume - cc	115	115	115	115	115
Weight - kg	2.2	2.2	2.2	2.2	2.2
Accessories					
Standard Gasket Set	GVSS216	GVSS216	GVSS216	GVSS216	GVSS216
PTFE Gasket Set	GTSS216	GTSS216	GTSS216	GTSS216	GTSS216
High Temperature Gasket	GHSS216	GHSS216	GHSS216	GHSS216	GHSS216
Kalrez Gasket Set	GKSS216	GKSS216	GKSS216	GKSS216	GKSS216
Nitrile Gasket Set	GNSS216	GNSS216	GNSS216	GNSS216	GNSS216
EPDM Gasket Set	GESS216	GESS216	GESS216	GESS216	GESS216
Support Core	SCSS21	SCSS21	SCSS21	SCSS21	SCSS21
Mounting Bracket	MBSS21	MBSS21	MBSS21	MBSS21	MBSS21
Filter Element Code (4)	25.64.□	25.64.□	25.64.□	25.64.□	25.64.□

- Notes** (1) Above 200°C the pressure rating is reduced, consult us for the exact rating at any specific temperature.
 (2) Maximum temperature 200°C using standard seals. For up to 450°C use a high temperature gasket.
 (3) Material abbreviations - 316L = 316L Stainless Steel, PTFE = Polytetrafluoroethylene, EPDM = Ethylene-Propylene
 (4) Replace the □ with the grade required, e.g. 25.64.5CK, 25.64.S25V, 25.64.T20