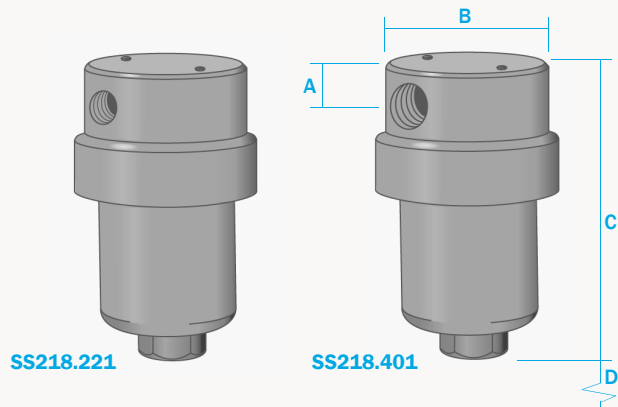


SS218 Series Housings

316L Stainless Steel
Pressure, 400 Bar
Ports, 1/4" or 1/2"
Element, 25.64.□



The SS218 series filter housings are specified for 400 Bar 1/4" line size applications and for 1/2" applications where response time must be kept short. If the flow rate or contamination is high, or where service intervals must be kept as long as possible, SS238 series housings should be considered. For applications up to 100 Bar see the SS215 series housings and for up to 200 Bar see the SS216 series.

Standard housings have NPT ports and include Viton gaskets. Other gaskets types are available as an option. BSPT and BSPP port types are also available.

The housings are free from welds and comply with NACE MR-01-75.

Principal Specifications

Housing Model	SS218.201	SS218.221	SS218.401	SS218.421	SS218.441
Port Size - NPT	1/4"	1/4"	1/2"	1/2"	1/2"
Drain - NPT	None	1/4"	None	1/4"	1/2"
Maximum Pressure - Bar (1)	400	400	400	400	400
Maximum Temperature - °C (2)	200	200	200	200	200
Materials of Construction (3)					
Head, Bowl & Internals	316L	316L	316L	316L	316L
Gaskets	Viton	Viton	Viton	Viton	Viton
Principal Dimensions					
A - mm	21	21	21	21	21
B - mm	85	85	85	85	85
C - mm	164	164	164	164	164
D - mm	75	75	75	75	75
Volume - cc	145	145	145	145	145
Weight - kg	2.0	2.0	2.0	2.0	2.0
Accessories					
Standard Gasket Set	GVSS218	GVSS218	GVSS218	GVSS218	GVSS218
PTFE Gasket Set	GTSS218	GTSS218	GTSS218	GTSS218	GTSS218
High Temperature Gasket	GHSS218	GHSS218	GHSS218	GHSS218	GHSS218
Kalrez Gasket Set	GKSS218	GKSS218	GKSS218	GKSS218	GKSS218
Nitrile Gasket Set	GNSS218	GNSS218	GNSS218	GNSS218	GNSS218
EPDM Gasket Set	GESS218	GESS218	GESS218	GESS218	GESS218
Support Core	SCSS21	SCSS21	SCSS21	SCSS21	SCSS21
Mounting Bracket	MBSS425	MBSS425	MBSS425	MBSS425	MBSS425
Filter Element Code (4)	25.64.□	25.64.□	25.64.□	25.64.□	25.64.□

- Notes** (1) Above 200°C the pressure rating is reduced, consult us for the exact rating at any specific temperature.
(2) Maximum temperature 200°C using standard seals. For up to 450°C use a high temperature gasket.
(3) Material abbreviations - 316L = 316L Stainless Steel, PTFE = Polytetrafluoroethylene, EPDM = Ethylene-Propylene
(4) Replace the □ with the grade required, e.g. 25.64.5CK, 25.64.S25V, 25.64.T20