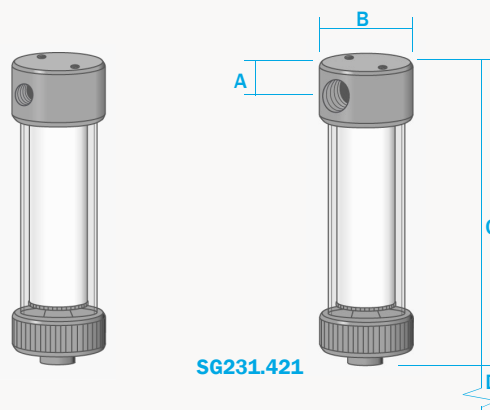


# SG231 Series Housings

**316L Stainless Steel & Glass**  
**Pressure, 7 Bar**  
**Ports, 1/4" or 1/2"**  
**Element, 25.178.□**



SG231.221

SG231.421

The SG231 series filter housings are specified for 1/4" & 1/2" line size low pressure applications with higher flow rates. They are constructed from 316L stainless steel and have a Pyrex glass bowl with a stainless steel bowl guard, this is not shown. For applications over 7 Bar the SS212 and SS235 housings are available.

Standard housings have NPT ports and include Viton gaskets. Other gaskets types are available as an option. BSPT and BSPP port types are also available.

The housings are free from welds and comply with NACE MR-01-75.

## Principal Specifications

Housing Model	SG231.211	SG231.221	SG231.411	SG231.421
Port Size - NPT	1/4"	1/4"	1/2"	1/2"
Drain - NPT	1/8"	1/4"	1/8"	1/4"
Maximum Pressure - Bar	7	7	7	7
Maximum Temperature - °C	100	100	100	100
<b>Materials of Construction (1)</b>				
Head & Internals	316L	316L	316L	316L
Bowl	Pyrex Glass	Pyrex Glass	Pyrex Glass	Pyrex Glass
Gaskets	Viton	Viton	Viton	Viton
<b>Principal Dimensions</b>				
A - mm	15	15	15	15
B - mm	56	56	56	56
C - mm	245	245	245	245
D - mm	185	185	185	185
Volume - cc	250	250	250	250
Weight - kg	1.4	1.4	1.4	1.4
<b>Accessories</b>				
Standard Gasket Set	GVSG211	GVSG211	GVSG211	GVSG211
PTFE Gasket Set	GTSG211	GTSG211	GTSG211	GTSG211
Kalrez Gasket Set	GKSG211	GKSG211	GKSG211	GKSG211
Nitrile Gasket Set	GNSG211	GNSG211	GNSG211	GNSG211
EPDM Gasket Set	GESG211	GESG211	GESG211	GESG211
Support Core	SCSS23	SCSS23	SCSS23	SCSS23
Mounting Bracket	MBSS21	MBSS21	MBSS21	MBSS21
Filter Element Code (2)	25.178.□	25.178.□	25.178.□	25.178.□

**Notes** (1) Material abbreviations - 316L= 316L Stainless Steel, PTFE = Polytetrafluoroethene, EPDM = Ethylene-Propylene

(2) Replace the □ with the grade required e.g. 25.178.5CK, 25.178.S25V, 25.178.T20