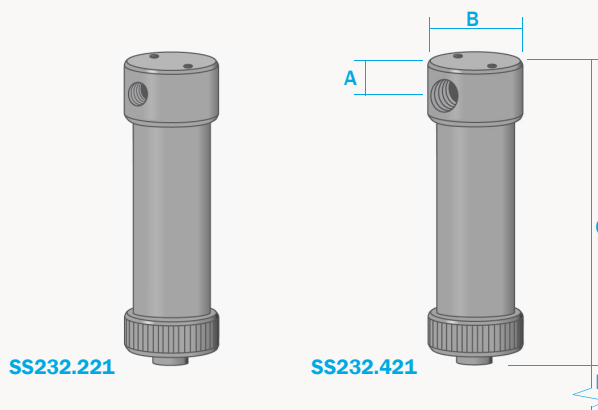


SS232 Series Housings

316L Stainless Steel
Pressure, 10 Bar
Ports, 1/4" or 1/2"
Element, 25.178.□



The SS232 series filter housings are specified for 1/4" & 1/2" line size low pressure applications with higher flow rates. For applications over 10 Bar the SS235 housings are available.

Standard housings have NPT ports and include Viton gaskets. Other gaskets types are available as an option. BSPT and BSPP port types are also available.

The housings are free from welds and comply with NACE MR-01-75.

Principal Specifications

Housing Model	SS232.211	SS232.221	SS232.411	SS232.421
Port Size - NPT	1/4"	1/4"	1/2"	1/2"
Drain - NPT	1/8"	1/4"	1/8"	1/4"
Maximum Pressure - Bar	10	10	10	10
Maximum Temperature - °C	200	200	200	200
Materials of Construction (1)				
Head & Internals	316L	316L	316L	316L
Bowl	316L	316L	316L	316L
Gaskets	Viton	Viton	Viton	Viton
Principal Dimensions				
A - mm	15	15	15	15
B - mm	56	56	56	56
C - mm	245	245	245	245
D - mm	185	185	185	185
Volume - cc	250	250	250	250
Weight - kg	1.4	1.4	1.4	1.4
Accessories				
Standard Gasket Set	GVSG211	GVSG211	GVSG211	GVSG211
PTFE Gasket Set	GTSG211	GTSG211	GTSG211	GTSG211
Kalrez Gasket Set	GKSG211	GKSG211	GKSG211	GKSG211
Nitrile Gasket Set	GNSG211	GNSG211	GNSG211	GNSG211
EPDM Gasket Set	GESG211	GESG211	GESG211	GESG211
Support Core	SCSS23	SCSS23	SCSS23	SCSS23
Mounting Bracket	MBSS21	MBSS21	MBSS21	MBSS21
Filter Element Code (2)	25.178.□	25.178.□	25.178.□	25.178.□

Notes (1) Material abbreviations - 316L= 316L Stainless Steel, PTFE = Polytetrafluoroethene, EPDM = Ethylene-Propylene
 (2) replace the □ with the grade required, e.g. 25.178.5CK, 25.178.S25V, 25.178.T20