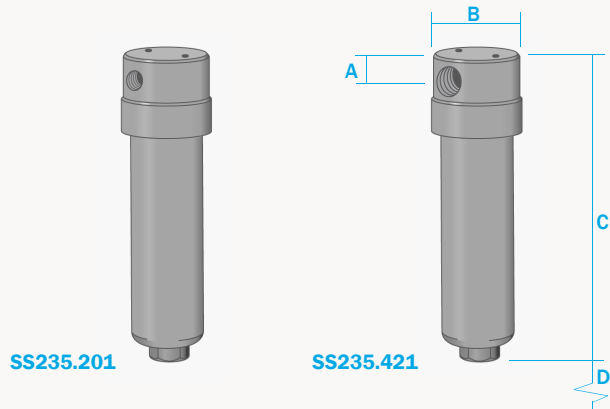


# SS235 Series Housings

**316L Stainless Steel**  
**Pressure, 100 Bar**  
**Ports, 1/4" or 1/2"**  
**Element, 25.178.□**



The SS235 series filter housings are specified for 1/4" & 1/2" line size applications where contamination or flow rate is high. High pressure versions are available for applications over 100 Bar, see the SS236 and SS238 series housings. The SS215 series offers a more compact design for lower flow rates.

Standard housings have NPT ports and include Viton gaskets. Other gaskets types are available as an option. BSPT and BSPP port types are also available.

The housings are free from welds and comply with NACE MR-01-75.

## Principal Specifications

| Housing Model                        | SS235.201 | SS235.221 | SS235.401 | SS235.421 | SS235.441 |
|--------------------------------------|-----------|-----------|-----------|-----------|-----------|
| Port Size - NPT                      | 1/4"      | 1/4"      | 1/2"      | 1/2"      | 1/2"      |
| Drain - NPT                          | None      | 1/4"      | None      | 1/4"      | 1/2"      |
| Maximum Pressure - Bar (1)           | 100       | 100       | 100       | 100       | 100       |
| Maximum Temperature - °C (2)         | 200       | 200       | 200       | 200       | 200       |
| <b>Materials of Construction (3)</b> |           |           |           |           |           |
| Head, Bowl & Internals               | 316L      | 316L      | 316L      | 316L      | 316L      |
| Gaskets                              | Viton     | Viton     | Viton     | Viton     | Viton     |
| <b>Principal Dimensions</b>          |           |           |           |           |           |
| A - mm                               | 15        | 15        | 15        | 15        | 15        |
| B - mm                               | 60        | 60        | 60        | 60        | 60        |
| C - mm                               | 245       | 245       | 245       | 245       | 245       |
| D - mm                               | 180       | 180       | 180       | 180       | 180       |
| Volume - cc                          | 280       | 280       | 280       | 280       | 280       |
| Weight - kg                          | 1.4       | 1.4       | 1.4       | 1.4       | 1.4       |
| <b>Accessories</b>                   |           |           |           |           |           |
| Standard Gasket Set                  | GVSS215   | GVSS215   | GVSS215   | GVSS215   | GVSS215   |
| PTFE Gasket Set                      | GTSS215   | GTSS215   | GTSS215   | GTSS215   | GTSS215   |
| High Temperature Gasket              | GHSS215   | GHSS215   | GHSS215   | GHSS215   | GHSS215   |
| Kalrez Gasket Set                    | GKSS215   | GKSS215   | GKSS215   | GKSS215   | GKSS215   |
| Nitrile Gasket Set                   | GNSS215   | GNSS215   | GNSS215   | GNSS215   | GNSS215   |
| EPDM Gasket Set                      | GESS215   | GESS215   | GESS215   | GESS215   | GESS215   |
| Support Core                         | SCSS23    | SCSS23    | SCSS23    | SCSS23    | SCSS23    |
| Mounting Bracket                     | MBSS21    | MBSS21    | MBSS21    | MBSS21    | MBSS21    |
| Filter Element Code (4)              | 25.178.□  | 25.178.□  | 25.178.□  | 25.178.□  | 25.178.□  |

- Notes**
- (1) Above 200°C the pressure rating is reduced, consult us for the exact rating at any specific temperature.
  - (2) Maximum temperature 200°C using standard seals. For up to 450°C use a high temperature gasket.
  - (3) Material abbreviations - 316L = 316L Stainless Steel, PTFE = Polytetrafluoroethylene, EPDM = Ethylene-Propylene
  - (4) Replace the □ with the grade required, e.g. 25.178.5CK, 25.178.S25V, 25.178.T20