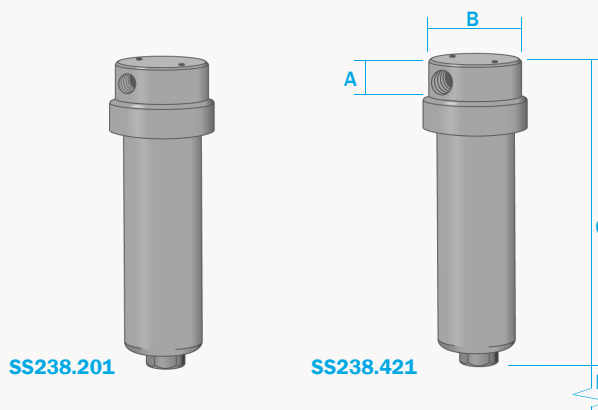


# SS238 Series Housings

**316L Stainless Steel**  
**Pressure, 400 Bar**  
**Ports, 1/4" or 1/2"**  
**Element, 25.178.□**



The SS238 series filter housings are specified for 400 Bar 1/4" & 1/2" applications where the flow rate or contamination is high, or where service intervals must be kept as long as possible. For applications up to 100 Bar see the SS235 series housings and for up to 200 Bar see the SS236 series. The SS218 series offers a more compact design for lower flow rates.

Standard housings have NPT ports and include Viton gaskets. Other gaskets types are available as an option. BSPT and BSPP port types are also available.

The housings are free from welds and comply with NACE MR-01-75.

## Principal Specifications

Housing Model	SS238.201	SS238.221	SS238.401	SS238.421	SS238.441
Port Size - NPT	1/4"	1/4"	1/2"	1/2"	1/2"
Drain - NPT	None	1/4"	None	1/4"	1/2"
Maximum Pressure - Bar (1)	400	400	400	400	400
Maximum Temperature - °C (2)	200	200	200	200	200
<b>Materials of Construction (3)</b>					
Head, Bowl & Internals	316L	316L	316L	316L	316L
Gaskets	Viton	Viton	Viton	Viton	Viton
<b>Principal Dimensions</b>					
A - mm	21	21	21	21	21
B - mm	85	85	85	85	85
C - mm	276	276	276	276	276
D - mm	190	190	190	190	190
Volume - cc	300	300	300	300	300
Weight - kg	2.7	2.7	2.7	2.7	2.7
<b>Accessories</b>					
Standard Gasket Set	GVSS218	GVSS218	GVSS218	GVSS218	GVSS218
PTFE Gasket Set	GTSS218	GTSS218	GTSS218	GTSS218	GTSS218
High Temperature Gasket	GHSS218	GHSS218	GHSS218	GHSS218	GHSS218
Kalrez Gasket Set	GKSS218	GKSS218	GKSS218	GKSS218	GKSS218
Nitrile Gasket Set	GNSS218	GNSS218	GNSS218	GNSS218	GNSS218
EPDM Gasket Set	GESS218	GESS218	GESS218	GESS218	GESS218
Support Core	SCSS23	SCSS23	SCSS23	SCSS23	SCSS23
Mounting Bracket	MBSS425	MBSS425	MBSS425	MBSS425	MBSS425
Filter Element Code (4)	25.178.□	25.178.□	25.178.□	25.178.□	25.178.□

- Notes**
- (1) Above 200°C the pressure rating is reduced, consult us for the exact rating at any specific temperature.
  - (2) Maximum temperature 200°C using standard seals. For up to 450°C use a high temperature gasket.
  - (3) Material abbreviations - 316L = 316L Stainless Steel, PTFE = Polytetrafluoroethylene, EPDM = Ethylene-Propylene
  - (4) Replace the □ with the grade required, e.g. 25.178.5CK, 25.178.S25V, 25.178.T20