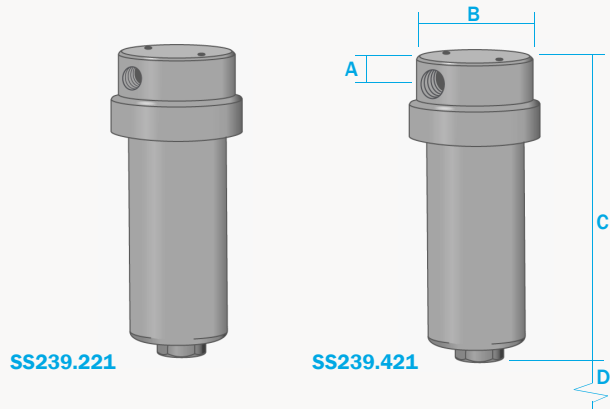


SS239 Series Housings

316L Stainless Steel
Pressure, 700 Bar
Ports, 1/4" or 1/2"
Element, 25.178.□



The SS239 series filter housings are specified for 700 Bar 1/4" and 1/2" line size applications where the flow rate or contamination is high, or where service intervals must be kept as long as possible. For applications at lower pressures see the SS215, SS216, and SS218 series housings. The SS219 series offers a more compact design for lower flow rates.

Standard housings have NPT ports and include Viton gaskets. Other gaskets types are available as an option. BSPT and BSPP port types are also available.

The housings are free from welds and comply with NACE MR-01-75.

Principal Specifications

Housing Model	SS239.201	SS239.221	SS239.401	SS239.421	SS239.441
Port Size - NPT	1/4"	1/4"	1/2"	1/2"	1/2"
Drain - NPT	None	1/4"	None	1/4"	1/2"
Maximum Pressure - Bar (1)	700	700	700	700	700
Maximum Temperature - °C (2)	200	200	200	200	200
Materials of Construction (3)					
Head, Bowl & Internals	316L	316L	316L	316L	316L
Gaskets	Viton	Viton	Viton	Viton	Viton
Principal Dimensions					
A - mm	30	30	30	30	30
B - mm	140	140	140	140	140
C - mm	295	295	295	295	295
D - mm	95	95	95	95	95
Volume - cc	145	145	145	145	145
Weight - kg	7	7	7	7	7
Accessories					
Standard Gasket Set	GVSS219	GVSS219	GVSS219	GVSS219	GVSS219
PTFE Gasket Set	GTSS219	GTSS219	GTSS219	GTSS219	GTSS219
High Temperature Gasket	GHSS219	GHSS219	GHSS219	GHSS219	GHSS219
Kalrez Gasket Set	GKSS219	GKSS219	GKSS219	GKSS219	GKSS219
Nitrile Gasket Set	GNSS219	GNSS219	GNSS219	GNSS219	GNSS219
EPDM Gasket Set	GESS219	GESS219	GESS219	GESS219	GESS219
Support Core	SCSS23	SCSS23	SCSS23	SCSS23	SCSS23
Mounting Bracket	MBSS426	MBSS426	MBSS426	MBSS426	MBSS426
Filter Element Code (4)	25.178.□	25.178.□	25.178.□	25.178.□	25.178.□

Notes (1) Above 200°C the pressure rating is reduced, consult us for the exact rating at any specific temperature.

(2) Maximum temperature 200°C using standard seals. For up to 450°C use a high temperature gasket.

(3) Material abbreviations - 316L = 316L Stainless Steel, PTFE = Polytetrafluoroethylene, EPDM = Ethylene-Propylene

(4) Replace the □ with the grade required, e.g. 25.178.5CK, 25.178.S25V, 25.178.T20