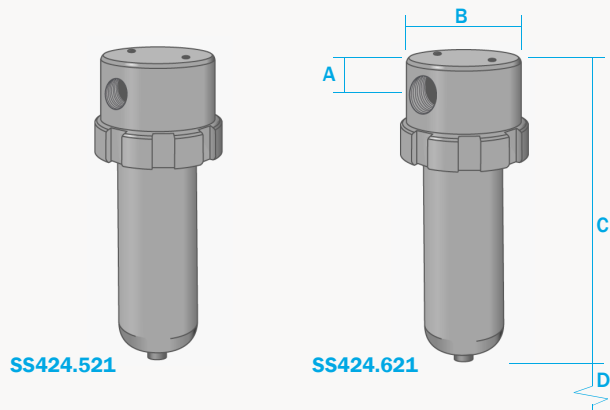


SS424 Series Housings

316L Stainless Steel
Pressure, 34 Bar
Ports, 3/4" or 1"
Element, 51.230.□



The SS424 series filter housings are specified for 3/4" and 1" line size applications up to 34 bar. For applications over 34 Bar higher pressure versions are available, see the SS425, SS426, and SS428 filter housings.

Standard housings have NPT ports and include Viton gaskets. Other gaskets types are available as an option. BSPT and BSPP port types are also available as well as a range of flanges.

Principal Specifications

Housing Model	SS424.521	SS424.621
Port Size - NPT	3/4"	1"
Drain - NPT	1/4"	1/4"
Maximum Pressure - Bar	34	34
Maximum Temperature - °C	200	200
Materials of Construction (1)		
Head, Bowl & Internals	316L	316L
Gaskets	Viton	Viton
Principal Dimensions		
A - mm	30	30
B - mm	110	110
C - mm	370	370
D - mm	250	250
Volume - cc	1350	1350
Weight - kg	6.0	6.0
Accessories		
Standard Gasket Set	GVSS424	GVSS424
PTFE Gasket Set	GTSS424	GTSS424
Kalrez Gasket Set	GKSS424	GKSS424
Nitrile Gasket Set	GNSS424	GNSS424
EPDM Gasket Set	GESS424	GESS424
Support Core	SCSS42	SCSS42
Mounting Bracket	MBSS42	MBSS42
Filter Element Code (2)	51.230.□	51.230.□

(1) Material abbreviations - 316L = 316L Stainless Steel, PTFE = Polytetrafluoroethene, EPDM = Ethylene-Propylene

(2) Replace the □ with the grade required, e.g. 51.230.5CK, 51.230.S25V, 51.230.T20