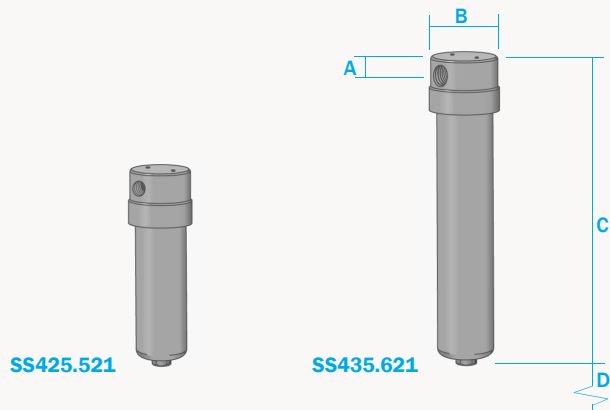


SS425 & SS435 Series Housings

316L Stainless Steel
Pressure, 100 Bar
Ports, 1", 1½" or 2"
Element, 51.230.□ or 51.476.□



The SS425 and SS435 series filter housings are specified for 1" to 2" line size applications. For applications over 100 Bar high pressure versions are available, see the SS426, SS428, SS436 and SS438 filter housings.

Standard housings have NPT ports and include Viton gaskets. Other gaskets types are available as an option. BSPT and BSPP port types are also available as well as a range of flanges.

Principal Specifications

Housing Model	SS425.621	SS425.721	SS425.821	SS435.621	SS435.721	SS435.821
Port Size - NPT	1"	1½"	2"	1"	1½"	2"
Drain - NPT	1/4"	1/4"	1/4"	1/4"	1/4"	1/4"
Maximum Pressure - Bar (1)	100	100	100	100	100	100
Maximum Temperature - °C (2)	200	200	200	200	200	200
Materials of Construction (3)						
Head, Bowl & Internals	316L	316L	316L	316L	316L	316L
Gaskets	Viton	Viton	Viton	Viton	Viton	Viton
Principal Dimensions						
A - mm	30	30	41	30	30	41
B - mm	110	110	110	110	110	110
C - mm	376	376	396	619	619	642
D - mm	247	247	247	439	439	439
Volume - cc	1350	1350	1350	2450	2450	2450
Weight - kg	9.0	9.0	9.2	12.5	12.5	12.7
Accessories						
Standard Gasket Set	GVSS425	GVSS425	GVSS425	GVSS425	GVSS425	GVSS425
PTFE Gasket Set	GTSS425	GTSS425	GTSS425	GTSS425	GTSS425	GTSS425
High Temperature Gasket	GHSS425	GHSS425	GHSS425	GHSS425	GHSS425	GHSS425
Kalrez Gasket Set	GKSS425	GKSS425	GKSS425	GKSS425	GKSS425	GKSS425
Nitrile Gasket Set	GNSS425	GNSS425	GNSS425	GNSS425	GNSS425	GNSS425
EPDM Gasket Set	GESS425	GESS425	GESS425	GESS425	GESS425	GESS425
Support Core	SCSS42	SCSS42	SCSS42	SCSS43	SCSS43	SCSS43
Mounting Bracket	MBSS42	MBSS42	MBSS42	MBSS42	MBSS42	MBSS42
Filter Element Code (4)	51.230.□	51.230.□	51.230.□	51.476.□	51.476.□	51.476.□

- Notes** (1) Above 200°C the pressure rating is reduced, consult us for the exact rating at any specific temperature.
(2) Maximum temperature 200°C using standard seals. For up to 450°C use a high temperature gasket.
(3) Material abbreviations - 316L = 316L Stainless Steel, PTFE = Polytetrafluoroethylene, EPDM = Ethylene-Propylene
(4) Replace the □ with the grade required, e.g. 51.230.5CK, 51.230.S25V, 51.230.T20