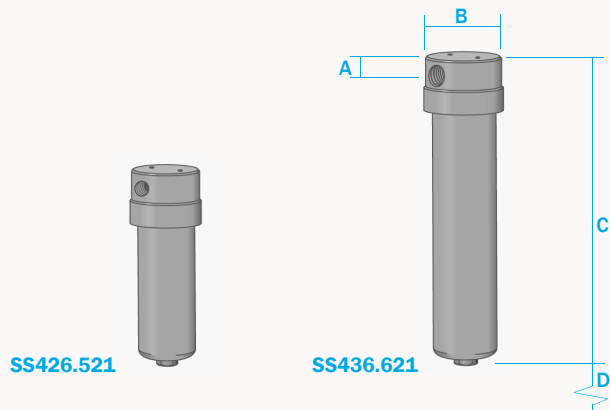


SS426 & SS436 Series Housings

316L Stainless Steel
Pressure, 200 Bar
Ports, 1", 1½" or 2"
Element, 51.230.□ or 51.476.□



The SS426 and SS436 series filter housings are specified for 1" to 2" line size applications up to 200 Bar. For applications less than 100 Bar see the SS425 and SS435 series housings and for over 200 Bar see the SS428 and SS438 series housings.

Standard housings have NPT ports and include Viton gaskets. Other gasket types are available as an option. BSPT and BSPP port types are also available as well as a range of flanges.

Principal Specifications

Housing Model	SS426.621	SS426.721	SS426.821	SS436.621	SS436.721	SS436.821
Port Size - NPT	1"	1½"	2"	1"	1½"	2"
Drain - NPT	1/4"	1/4"	1/4"	1/4"	1/4"	1/4"
Maximum Pressure - Bar (1)	200	200	200	200	200	200
Maximum Temperature - °C (2)	200	200	200	200	200	200
Materials of Construction (3)						
Head, Bowl & Internals	316L	316L	316L	316L	316L	316L
Gaskets	Viton	Viton	Viton	Viton	Viton	Viton
Principal Dimensions						
A - mm	38	38	52	38	38	52
B - mm	120	120	120	120	120	120
C - mm	334	334	348	580	580	594
D - mm	257	257	257	449	449	449
Volume - cc	1350	1350	1350	2450	2450	2450
Weight - kg	11.0	11.0	11.5	17.0	17.0	17.5
Accessories						
Standard Gasket Set	GVSS426	GVSS426	GVSS426	GVSS426	GVSS426	GVSS426
PTFE Gasket Set	GTSS426	GTSS426	GTSS426	GTSS426	GTSS426	GTSS426
High Temperature Gasket	GHSS426	GHSS426	GHSS426	GHSS426	GHSS426	GHSS426
Kalrez Gasket Set	GKSS426	GKSS426	GKSS426	GKSS426	GKSS426	GKSS426
Nitrile Gasket Set	GNSS426	GNSS426	GNSS426	GNSS426	GNSS426	GNSS426
EPDM Gasket Set	GESS246	GESS246	GESS246	GESS246	GESS246	GESS246
Support Core	SCSS42	SCSS42	SCSS42	SCSS43	SCSS43	SCSS43
Mounting Bracket	MBSS426	MBSS426	MBSS428	MBSS426	MBSS426	MBSS426
Filter Element Code (4)	51.230.□	51.230.□	51.230.□	51.476.□	51.476.□	51.476.□

- Notes**
- (1) Above 200°C the pressure rating is reduced, consult us for the exact rating at any specific temperature.
 - (2) Maximum temperature 200°C using standard seals. For up to 450°C use a high temperature gasket.
 - (3) Material abbreviations - 316L = 316L Stainless Steel, PTFE = Polytetrafluoroethylene, EPDM = Ethylene-Propylene
 - (4) Replace the □ with the grade required, e.g. 51.230.5CK, 51.230.S25V, 51.230.T20