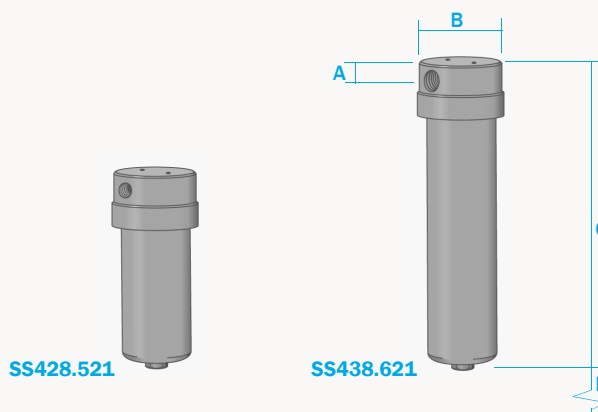


SS428 & SS438 Series Housings

316L Stainless Steel
Pressure, 400 Bar
Ports, 1", 1½" or 2"
Element, 51.230.□ or 51.476.□



The SS428 and SS438 series filter housings are specified for 1" to 2" line size applications up to 400 Bar. Lower pressure versions are available, see the SS425, SS426, SS435 and SS436 series filter housings.

Standard housings have NPT ports and include Viton gaskets. Other gaskets types are available as an option. BSPT and BSPP port types are also available as well as a range of flanges.

Principal Specifications

Housing Model	SS428.621	SS428.721	SS428.821	SS438.621	SS438.721	SS438.821
Port Size - NPT	1"	1½"	2"	1"	1½"	2"
Drain - NPT	1/4"	1/4"	1/4"	1/4"	1/4"	1/4"
Maximum Pressure - Bar (1)	400	400	400	400	400	400
Maximum Temperature - °C (2)	200	200	200	200	200	200
Materials of Construction (3)						
Head, Bowl & Internals	316L	316L	316L	316L	316L	316L
Gaskets	Viton	Viton	Viton	Viton	Viton	Viton
Principal Dimensions						
A - mm	42	42	52	42	42	52
B - mm	164	164	164	164	164	164
C - mm	397	397	407	643	643	653
D - mm	257	257	257	449	449	449
Volume - cc	1350	1350	1350	2450	2450	2450
Weight - kg	12.0	12.0	12.5	19.0	19.0	19.5
Accessories						
Standard Gasket Set	GVSS428	GVSS428	GVSS428	GVSS428	GVSS428	GVSS428
PTFE Gasket Set	GTSS428	GTSS428	GTSS428	GTSS428	GTSS428	GTSS428
High Temperature Gasket	GHSS428	GHSS428	GHSS428	GHSS428	GHSS428	GHSS428
Kalrez Gasket Set	GKSS428	GKSS428	GKSS428	GKSS428	GKSS428	GKSS428
Nitrile Gasket Set	GNSS428	GNSS428	GNSS428	GNSS428	GNSS428	GNSS428
EPDM Gasket Set	GESS428	GESS428	GESS428	GESS428	GESS428	GESS428
Support Core	SCSS42	SCSS42	SCSS42	SCSS43	SCSS43	SCSS43
Mounting Bracket	MBSS428	MBSS428	MBSS428	MBSS428	MBSS428	MBSS428
Filter Element Code (4)	51.230.□	51.230.□	51.230.□	51.476.□	51.476.□	51.476.□

- Notes** (1) Above 200°C the pressure rating is reduced, consult us for the exact rating at any specific temperature.
(2) Maximum temperature 200°C using standard seals. For up to 450°C use a high temperature gasket.
(3) Material abbreviations - 316L = 316L Stainless Steel, PTFE = Polytetrafluoroethylene, EPDM = Ethylene-Propylene
(4) Replace the □ with the grade required, e.g. 51.230.5CK, 51.230.S25V, 51.230.T20