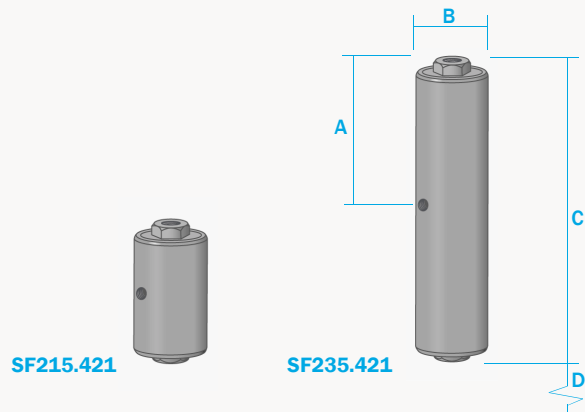


SF Series Fast Loop Housing

316L Stainless Steel
Pressure, 100 or 340 Bar
Ports, 1/4" or 1"
Element, 12.32.□ to 51.230.□



The SF series housings are designed for fast loop and bypass applications. The internal volume is kept to a minimum for a fast response time. See data sheet CF/1.2/008 for more information.

Standard housings have NPT ports and include Viton gaskets. Other gaskets types are available as an option. BSPT and BSPP port types are also available.

Principal Specifications

Housing Model	SF117.221	SF127.221	SF215.421	SF235.421	SF425.621
Port Size - NPT	1/4"	1/4"	1/2"	1/2"	1"
Drain - NPT	1/4"	1/4"	1/4"	1/4"	1/4"
Maximum Pressure - Bar (1)	340	340	100	100	100
Maximum Temperature - °C (2)	200	200	200	200	200
Materials of Construction (3)					
Head, Bowl & Internals	316L	316L	316L	316L	316L
Gaskets	Viton	Viton	Viton	Viton	Viton
Principal Dimensions					
A - mm	48	48	57	114	143
B - mm	50	50	64	64	96
C - mm	71	96	114	232	285
D - mm	65	75	85	200	250
Volume - cc	12	17	100	220	950
Weight - kg	0.6	0.7	1.3	1.7	7.0
Accessories					
Standard Gasket Set	GVSF117	GVSF117	GVSF215	GVSF215	GVSF425
PTFE Gasket Set	GTSF117	GTSF117	GTSF215	GTSF215	GTSF425
High Temperature Gasket	GHSF117	GHSF117	GHSF215	GHSF215	GHSF425
Kalrez Gasket Set	GKSF117	GKSF117	GKSF215	GKSF215	GKSF425
Nitrile Gasket Set	GNSF117	GNSF117	GNSF215	GNSF215	GNSF425
EPDM Gasket Set	GES117	GESF117	GESF215	GESF215	GESF425
Filter Element Code (4)	12.32.□	12.57.□	25.64.□	25.178.□	51.230.□

- Notes** (1) Above 200°C the pressure rating is reduced, consult us for the exact rating at any specific temperature.
(2) Maximum temperature 200°C using standard seals. For up to 450°C use a high temperature gasket.
(3) Material abbreviations - 316L = 316L Stainless Steel, PTFE = Polytetrafluoroethylene, EPDM = Ethylene-Propylene
(4) Replace the □ with the grade required, e.g. 12.57.5CK, 12.57.S25V, 12.57.T20