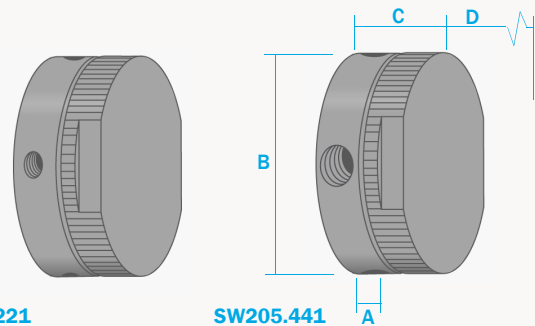


# SW205 Series Cyclone Housings

**316L Stainless Steel**  
**Pressure, 100 Bar**  
**Ports, 1/4" or 1/2"**  
**Filter Disc, FD.64.□**



SW205.221

SW205.441

The SW205 housings are designed to remove particulates from liquid samples. The inlet port is angled to create a "cyclone" effect against a flat stainless steel filter disc. The sample passes through the filter to the outlet and the rest of the sample passes to the bypass port.

The housing design allows a quick change of the filter disc as all the line connections are arranged in the body of the housing and the threaded cap means no tools are required for access.

Standard housings have NPT ports and include Viton gaskets. Other gaskets types are available as an option. BSPT and BSPP port types are also available.

The housings are free from welds and comply with NACE MR-01-75.

## Principal Specifications

Housing Model	SW205.221	SW205.441
Port Size - NPT	1/4"	1/2"
Drain & Bypass Port - NPT	1/4"	1/2"
Maximum Pressure - Bar	100	100
Maximum Temperature - °C	100	100
<b>Materials of Construction (1)</b>		
Head, Bowl & Internals	316L	316L
Gaskets	Viton	Viton
<b>Principal Dimensions</b>		
A - mm	10	15
B - mm	100	100
C - mm	40	50
D - mm	30	30
Volume - cc	20	20
Weight - kg	1.6	1.8
<b>Accessories</b>		
Standard Gasket Set	GVSW205	GVSW205
Kalrez Gasket Set	GKSW205	GKSW205
Nitrile Gasket Set	GNSW205	GNSW205
EPDM Gasket Set	GESW205	GESW205
Mounting Bracket	MBSM205	MBSM205
Filter Disc Code (2)	FD.64.S□V	FD.64.S□V

**Notes** (1) Material abbreviations - 316L = 316L Stainless Steel, PTFE = Polytetrafluoroethylene, EPDM = Ethylene-Propylene

(2) Replace the □ with the grade required, e.g. FD.64.S2V, FD.64.S10V or FD.64.S25V