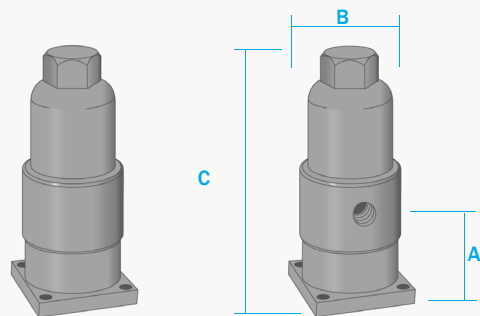


SH027 Series SP76 Housings

316L Stainless Steel
Pressure, 340 Bar
Ports, SP76/NPT
Element, 10.57.□



SS027.L01

SS027.R11

The SS027 series SP76 filter housings are designed for SP76 compliant modular sample systems. The housings can be used for particulate or coalescing applications. Coalescing housings have a drain port.

If a housing is used for coalescing any liquid in the sample will flow to the 1/8" NPT drain port. The coalescing housings should only be used on a substrate that is mounted in the horizontal plane with the drain port at the lowest point below the inlet and outlet ports.

The housing design allows a quick change of the element as all the line connections are arranged in the body of the housing.

Principal Specifications

Housing Model	SH027.L01	SH027.R01	SH027.L11	SH027.R11
Inlet & Outlet Connections	SP76	SP76	SP76	SP76
Drain - NPT	None	None	1/8"	1/8"
Maximum Pressure - Bar	340	340	340	340
Maximum Temperature - °C	200	200	200	200
Mounting				
Substrate Flow Direction	Left to Right	Right to Left	Left to Right	Right to Left
Substrate Plane	Any	Any	Horizontal	Horizontal
Inlet	Hole 2	Hole 3	Hole 1	Hole 1
Outlet	Hole 1	Hole 1	Hole 3	Hole 2
Materials of Construction (1)				
Head, Bowl & Internals	316L	316L	316L	316L
Gaskets	Viton	Viton	Viton	Viton
Principal Dimensions				
A - mm	36	36	36	36
B - mm	38	38	38	38
C - mm	99	99	99	99
Volume - cc	15	15	15	15
Weight - kg	0.4	0.4	0.4	0.4
Accessories				
Standard Gasket Set	GVSS027	GVSS027	GVSS027	GVSS027
Kalrez Gasket Set	GKSS027	GKSS027	GKSS027	GKSS027
Nitrile Gasket Set	GNSS027	GNSS027	GNSS027	GNSS027
EPDM Gasket Set	GESS027	GESS027	GESS027	GESS027
Filter Element Code (2)	10.57.□	10.57.□	10.57.□	10.57.□

Notes (1) Material abbreviations - 316L = 316L Stainless Steel, EPDM = Ethylene-Propylene

(2) Replace the □ with the grade required, e.g. 10.57.5CK, 10.57.7K