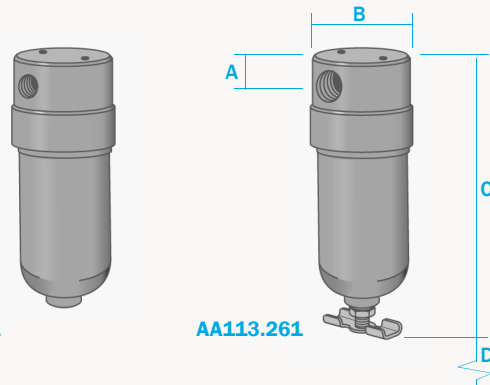


AA113 Series Housings

Aluminium
Pressure, 16 Bar
Ports, 1/8" or 1/4"
Element, 12.32.□



The AA113 series filter housings have an anodised aluminium head and bowl with polyamide internals. They are supplied with 1/8" or 1/4" ports and have a range of drain options. These housings are suitable for compressed air systems and general filtration applications.

Standard housings have NPT ports and include Viton gaskets. Other gaskets types are available as an option. BSPT and BSPP port types are also available.

Principal Specifications

Housing Model	AA113.101	AA113.111	AA113.161	AA113.201	AA113.211	AA113.261
Port Size - NPT	1/8"	1/8"	1/8"	1/4"	1/4"	1/4"
Drain - NPT	None	1/8"	Manual	None	1/8"	Manual
Maximum Pressure - Bar	16	16	16	16	16	16
Maximum Temperature - °C	120	120	120	120	120	120
Materials of Construction (1)						
Head	AL	AL	AL	AL	AL	AL
Bowl	AL	AL	AL	AL	AL	AL
Internals	PA	PA	PA	PA	PA	PA
Gaskets	Viton	Viton	Viton	Viton	Viton	Viton
Principal Dimensions						
A - mm	11	11	11	11	11	11
B - mm	40	40	40	40	40	40
C - mm	97	97	117	97	97	117
D - mm	40	40	40	40	40	40
Volume - cc	25	25	25	25	25	25
Weight - kg	0.2	0.2	0.2	0.2	0.2	0.2
Accessories						
Standard Gasket Set	GVAN112	GVAN112	GVAN112	GVAN112	GVAN112	GVAN112
Nitrile Gasket Set	GNAN112	GNAN112	GNAN112	GNAN112	GNAN112	GNAN112
EPDM Gasket Set	GEAN112	GEAN112	GEAN112	GEAN112	GEAN112	GEAN112
Mounting Bracket	MBAN11	MBAN11	MBAN11	MBAN11	MBAN11	MBAN11
Filter Element Code (2)	12.32.□	12.32.□	12.32.□	12.32.□	12.32.□	12.32.□

Notes (1) Material abbreviations - AL = Aluminium, PA = Polyamide, EPDM = Ethylene-Propylene

(2) Replace the □ with the grade required, e.g. 12.32.5CK, 12.32.S25V, 12.32.T20