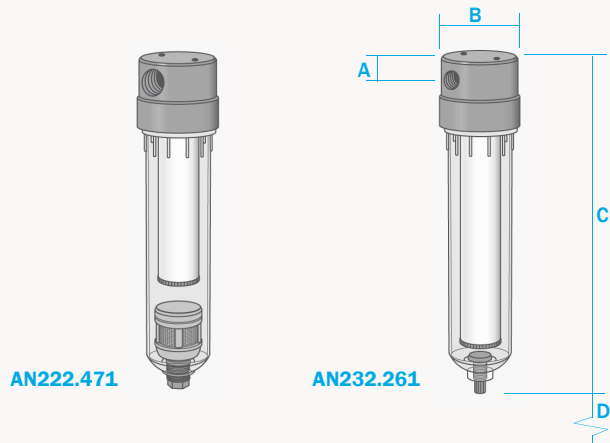


# AN222 & AN232 Series Housings

**Aluminium & Polyamide**  
**Pressure, 10 Bar**  
**Ports, 1/4" to 1/2"**  
**Element, 25.127.□ or 25.178.□**



The AN222 & AN232 series filter housings have an anodised aluminium head with polyamide bowl and internals. They are supplied with 1/8" or 1/4" ports and have a range of drain options. These housings are suitable for compressed air systems and general filtration applications.

Standard housings have NPT ports and include Viton gaskets. Other gaskets types are available as an option. BSPT and BSPP port types are also available.

## Principal Specifications

Housing Model	AN232.201	AN232.221	AN232.261	AN222.271	AN232.401	AN232.421	AN232.461	AN222.471
Port Size - NPT	1/4"	1/4"	1/4"	1/4"	1/2"	1/2"	1/2"	1/2"
Drain - NPT or other	None	1/4"	Manual	Automatic	None	1/4"	Manual	Automatic
Maximum Pressure	10	10	10	10	10	10	10	10
Maximum Temperature - °C	50	50	50	50	50	50	50	50
<b>Materials of Construction (1)</b>								
Head	AL	AL	AL	AL	AL	AL	AL	AL
Bowl	PA	PA	PA	PA	PA	PA	PA	PA
Internals	PA	PA	PA	PA	PA	PA	PA	PA
Gaskets	Viton	Viton	Viton	Viton	Viton	Viton	Viton	Viton
<b>Principal Dimensions</b>								
A - mm	17	17	17	17	17	17	17	17
B - mm	62	62	62	62	62	62	62	62
C - mm	258	258	268	260	258	258	268	260
D - mm	190	190	190	190	190	190	190	190
Volume - cc	240	240	240	240	240	240	240	240
Weight - kg	0.5	0.5	0.5	0.5	0.5	0.5	0.5	0.5
<b>Accessories</b>								
Standard Gasket Set	GVAN212	GVAN212	GVAN212	GVAN212	GVAN212	GVAN212	GVAN212	GVAN212
Nitrile Gasket Set	GNAN212	GNAN212	GNAN212	GNAN212	GNAN212	GNAN212	GNAN212	GNAN212
EPDM Gasket Set	GEAN212	GEAN212	GEAN212	GEAN212	GEAN212	GEAN212	GEAN212	GEAN212
Mounting Bracket	MBAN21	MBAN21	MBAN21	MBAN21	MBAN21	MBAN21	MBAN21	MBAN21
Filter Element Code (2)	25.178.□	25.178.□	25.178.□	25.127.□	25.178.□	25.178.□	25.178.□	25.127.□

**Notes** (1) Material abbreviations - AL = Aluminium, PA = Polyamide, EPDM = Ethylene-Propylene

(2) Replace the □ with the grade required, e.g. 25.178.5K, 25.178.S25V, 25.178.T20