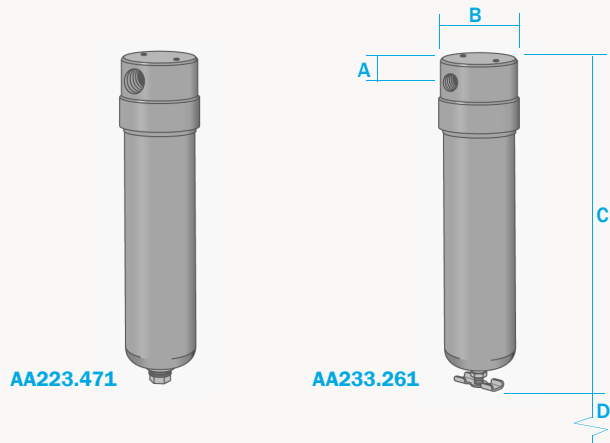


AA223 & AA233 Series Housings

Aluminium & Polyamide
Pressure, 16 Bar
Ports, 1/4" to 1/2"
Element, 25.127.□ or 25.178.□



The AA223 & AA233 series filter housings have an anodised aluminium head and bowl with polyamide internals. They are supplied with 1/8" or 1/4" ports and have a range of drain options. These housings are suitable for compressed air systems and general filtration applications.

Standard housings have NPT ports and include Viton gaskets. Other gaskets types are available as an option. BSPT and BSPP port types are also available.

Principal Specifications

Housing Model	AA233.201	AA233.211	AA233.261	AA223.271	AA233.401	AA233.411	AA233.461	AA223.471
Port Size - NPT	1/4"	1/4"	1/4"	1/4"	1/2"	1/2"	1/2"	1/2"
Drain - NPT or other	None	1/8"	Manual	Automatic	None	1/8"	Manual	Automatic
Maximum Pressure	16	16	16	16	16	16	16	16
Maximum Temperature - °C	120	120	120	120	120	120	120	120
Materials of Construction (1)								
Head	AL	AL	AL	AL	AL	AL	AL	AL
Bowl	AL	AL	AL	AL	AL	AL	AL	AL
Internals	PA	PA	PA	PA	PA	PA	PA	PA
Gaskets	Viton	Viton	Viton	Viton	Viton	Viton	Viton	Viton
Principal Dimensions								
A - mm	17	17	17	17	17	17	17	17
B - mm	62	62	62	62	62	62	62	62
C - mm	256	256	266	260	256	256	266	260
D - mm	190	190	190	190	190	190	190	190
Volume - cc	240	240	240	240	240	240	240	240
Weight - kg	0.8	0.8	0.8	0.8	0.8	0.8	0.8	0.8
Accessories								
Standard Gasket Set	GVAN212	GVAN212	GVAN212	GVAN212	GVAN212	GVAN212	GVAN212	GVAN212
Nitrile Gasket Set	GNAN212	GNAN212	GNAN212	GNAN212	GNAN212	GNAN212	GNAN212	GNAN212
EPDM Gasket Set	GEAN212	GEAN212	GEAN212	GEAN212	GEAN212	GEAN212	GEAN212	GEAN212
Mounting Bracket	MBAN21	MBAN21	MBAN21	MBAN21	MBAN21	MBAN21	MBAN21	MBAN21
Filter Element Code (2)	25.178.□	25.178.□	25.178.□	25.127.□	25.178.□	25.178.□	25.178.□	25.127.□

Notes (1) Material abbreviations - AL= Aluminium, PA = Polyamide, EPDM = Ethylene-Propylene

(2) Replace the □ with the grade required, e.g. 25.178.5K, 25.178.S25V, 25.178.T20