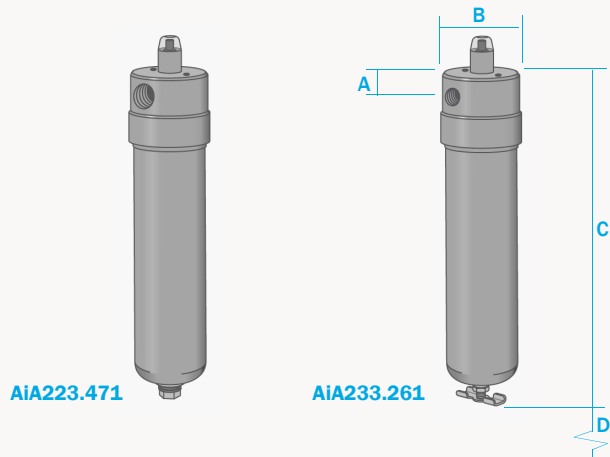


# AiA223 & AiA233 Series Housings

**Aluminium**  
**Pressure, 16 Bar**  
**Ports, 1/4" to 1/2"**  
**Element, 25.127.□ or 25.178.□**



The AiA223 & AiA233 series filter housings have an anodised aluminium head and bowl with polyamide internals. They are fitted with a differential pressure indicator and supplied with 1/4" or 1/2" ports and a range of drain options. These housings are suitable for compressed air systems and general filtration applications.

Standard housings have NPT ports and include Viton gaskets. Other gaskets types are available as an option. BSPT and BSPP port types are also available.

## Principal Specifications

Housing Model	AiA233.201	AiA233.211	AiA233.261	AiA223.271	AiA233.401	AiA233.411	AiA233.461	AiA223.471
Port Size - NPT	1/4"	1/4"	1/4"	1/4"	1/2"	1/2"	1/2"	1/2"
Drain - NPT or other	None	1/8"	Manual	Automatic	None	1/8"	Manual	Automatic
Maximum Pressure	16	16	16	16	16	16	16	16
Maximum Temperature - °C	120	120	120	120	120	120	120	120
<b>Materials of Construction (1)</b>								
Head	AL	AL	AL	AL	AL	AL	AL	AL
Bowl	AL	AL	AL	AL	AL	AL	AL	AL
Internals	PA	PA	PA	PA	PA	PA	PA	PA
Gaskets	Viton	Viton	Viton	Viton	Viton	Viton	Viton	Viton
<b>Principal Dimensions</b>								
A - mm	17	17	17	17	17	17	17	17
B - mm	62	62	62	62	62	62	62	62
C - mm	256	256	266	260	256	256	266	260
D - mm	190	190	190	190	190	190	190	190
Volume - cc	240	240	240	240	240	240	240	240
Weight - kg	0.8	0.8	0.8	0.8	0.8	0.8	0.8	0.8
<b>Accessories</b>								
Standard Gasket Set	GVAN212	GVAN212	GVAN212	GVAN212	GVAN212	GVAN212	GVAN212	GVAN212
Nitrile Gasket Set	GNAN212	GNAN212	GNAN212	GNAN212	GNAN212	GNAN212	GNAN212	GNAN212
EPDM Gasket Set	GEAN212	GEAN212	GEAN212	GEAN212	GEAN212	GEAN212	GEAN212	GEAN212
Mounting Bracket	MBAIN21	MBAIN21	MBAIN21	MBAIN21	MBAIN21	MBAIN21	MBAIN21	MBAIN21
Filter Element Code (2)	25.178.□	25.178.□	25.178.□	25.127.□	25.178.□	25.178.□	25.178.□	25.127.□

Notes (1) Material abbreviations - AL = Aluminium, PA = Polyamide, EPDM = Ethylene-Propylene

(2) Replace the □ with the grade required, e.g. 25.178.5K, 25.178.S25V, 25.178.T20