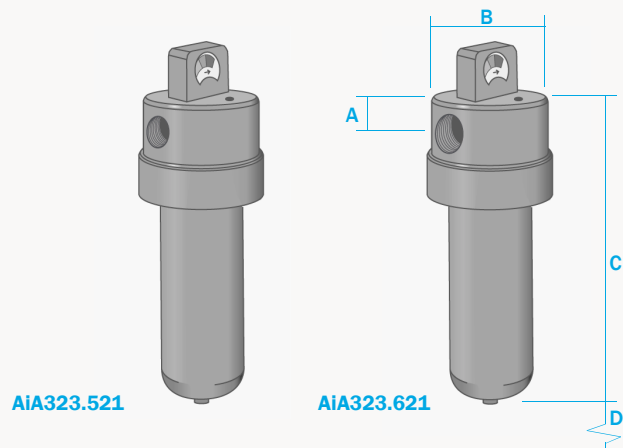


AiA323 Series Housings

Aluminium
Pressure, 16 Bar
Ports, 3/4" or 1"
Element, 38.152.□



The AA323 series filter housings have an anodised aluminium head and bowl with polyamide internals. They are fitted with a differential pressure indicator and supplied with 3/4" or 1" ports and a range of drain options. These housings are suitable for compressed air systems and general filtration applications.

Standard housings have NPT ports and include Viton gaskets. Other gaskets types are available as an option. BSPT and BSPP port types are also available.

Principal Specifications

Housing Model	AiA323.511	AiA323.561	AiA323.571	AiA323.611	AiA323.661	AiA323.671
Port Size - NPT	3/4"	3/4"	3/4"	1"	1"	1"
Drain - NPT	1/8"	Manual	Automatic	1/8"	Manual	Automatic
Maximum Pressure - Bar	16	16	16	16	16	16
Maximum Temperature - °C	120	120	120	120	120	120
Materials of Construction (1)						
Head	AL	AL	AL	AL	AL	AL
Bowl	AL	AL	AL	AL	AL	AL
Internals	PA	PA	PA	PA	PA	PA
Gaskets	Viton	Viton	Viton	Viton	Viton	Viton
Principal Dimensions						
A - mm	23	23	23	23	23	23
B - mm	95	95	95	95	95	95
C - mm	282	287	282	282	287	282
D - mm	155	155	155	155	155	155
Volume - cc	470	470	470	470	470	470
Weight - kg	2	2	2	2	2	2
Accessories						
Standard Gasket Set	GVAA323	GVAA323	GVAA323	GVAA323	GVAA323	GVAA323
Nitrile Gasket Set	GNAA323	GNAA323	GNAA323	GNAA323	GNAA323	GNAA323
EPDM Gasket Set	GEAA323	GEAA323	GEAA323	GEAA323	GEAA323	GEAA323
Mounting Bracket	MBAiA32	MBAiA32	MBAiA32	MBAiA32	MBAiA32	MBAiA32
Filter Element Code (2)	38.152.□	38.152.□	38.152.□	38.152.□	38.152.□	38.152.□

Notes (1) Material abbreviations - AL = Aluminium, PA = Polyamide, EPDM = Ethylene-Propylene

(2) Replace the □ with the grade required, e.g. 38.152.5CK, 38.152.7K