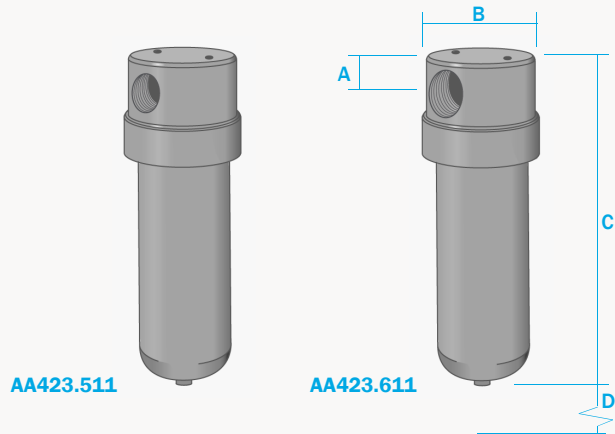


AA423 Series Housings

Aluminium
Pressure, 16 Bar
Ports, 1&1/2" or 2"
Element, 51.230.□



The AA423 series filter housings have an anodised aluminium head, bowl and internals with a stainless steel tie rod. They are supplied with 1&1/2" or 2" ports and have a range of drain options. These housings are suitable for compressed air systems and general filtration applications.

Standard housings have NPT ports and include Viton gaskets. Other gaskets types are available as an option. BSPT and BSPP port types are also available.

Principal Specifications

Housing Model	AA423.711	AA423.761	AA423.771	AA423.811	AA423.861	AA423.871
Port Size - NPT	1&1/2"	1&1/2"	1&1/2"	2"	2"	2"
Drain - NPT	1/8"	Manual	Automatic	1/8"	Manual	Automatic
Maximum Pressure - Bar	16	16	16	16	16	16
Maximum Temperature - °C	120	120	120	120	120	120
Materials of Construction (1)						
Head	AL	AL	AL	AL	AL	AL
Bowl	AL	AL	AL	AL	AL	AL
Internals	AL & SS	AL & SS	AL & SS	AL & SS	AL & SS	AL & SS
Gaskets	Viton	Viton	Viton	Viton	Viton	Viton
Principal Dimensions						
A - mm	35	35	35	35	35	35
B - mm	135	135	135	135	135	135
C - mm	395	405	395	395	405	395
D - mm	235	235	235	235	235	235
Volume - cc	1300	1300	1300	1300	1300	1300
Weight - kg	4	4	4	4	4	4
Accessories						
Standard Gasket Set	GVAA423	GVAA423	GVAA423	GVAA423	GVAA423	GVAA423
Nitrile Gasket Set	GNAA423	GNAA423	GNAA423	GNAA423	GNAA423	GNAA423
EPDM Gasket Set	GEAA423	GEAA423	GEAA423	GEAA423	GEAA423	GEAA423
Mounting Bracket	MBAA42	MBAA42	MBAA42	MBAA42	MBAA42	MBAA42
Filter Element Code (2)	51.230.□	51.230.□	51.230.□	51.230.□	51.230.□	51.230.□

Notes (1) Material abbreviations - AL = Aluminium, PA = Polyamide, EPDM = Ethylene-Propylene, SS = Stainless Steel

(2) Replace the □ with the grade required, e.g. 51.230.5CK, 51.230.7K