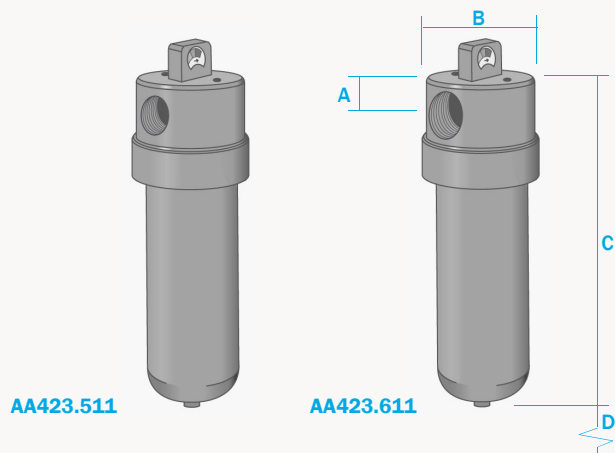


AiA423 Series Housings

Aluminium
Pressure, 16 Bar
Ports, 1&1/2" or 2"
Element, 51.230.□



The AiA423 series filter housings have an anodised aluminium head, bowl and internals with a stainless steel tie rod. They are fitted with a differential pressure indicator and supplied with 1&1/2" or 2" ports and a range of drain options. These housings are suitable for compressed air systems and general filtration applications.

Standard housings have NPT ports and include Viton gaskets. Other gaskets types are available as an option. BSPT and BSPP port types are also available.

Principal Specifications

| Housing Model | AiA423.711 | AiA423.761 | AiA423.771 | AiA423.811 | AiA423.861 | AiA423.871 |
|--------------------------------------|------------|------------|------------|------------|------------|------------|
| Port Size - NPT | 1&1/2" | 1&1/2" | 1&1/2" | 2" | 2" | 2" |
| Drain - NPT | 1/8" | Manual | Automatic | 1/8" | Manual | Automatic |
| Maximum Pressure - Bar | 16 | 16 | 16 | 16 | 16 | 16 |
| Maximum Temperature - °C | 120 | 120 | 120 | 120 | 120 | 120 |
| Materials of Construction (1) | | | | | | |
| Head | AL | AL | AL | AL | AL | AL |
| Bowl | AL | AL | AL | AL | AL | AL |
| Internals | AL & SS | AL & SS | AL & SS | AL & SS | AL & SS | AL & SS |
| Gaskets | Viton | Viton | Viton | Viton | Viton | Viton |
| Principal Dimensions | | | | | | |
| A - mm | 35 | 35 | 35 | 35 | 35 | 35 |
| B - mm | 135 | 135 | 135 | 135 | 135 | 135 |
| C - mm | 395 | 405 | 395 | 395 | 405 | 395 |
| D - mm | 235 | 235 | 235 | 235 | 235 | 235 |
| Volume - cc | 1300 | 1300 | 1300 | 1300 | 1300 | 1300 |
| Weight - kg | 4 | 4 | 4 | 4 | 4 | 4 |
| Accessories | | | | | | |
| Standard Gasket Set | GVAA423 | GVAA423 | GVAA423 | GVAA423 | GVAA423 | GVAA423 |
| Nitrile Gasket Set | GNAA423 | GNAA423 | GNAA423 | GNAA423 | GNAA423 | GNAA423 |
| EPDM Gasket Set | GEAA423 | GEAA423 | GEAA423 | GEAA423 | GEAA423 | GEAA423 |
| Mounting Bracket | MBAiA42 | MBAiA42 | MBAiA42 | MBAiA42 | MBAiA42 | MBAiA42 |
| Filter Element Code (2) | 51.230.□ | 51.230.□ | 51.230.□ | 51.230.□ | 51.230.□ | 51.230.□ |

Notes (1) Material abbreviations - AL = Aluminium, PA = Polyamide, EPDM = Ethylene-Propylene, SS = Stainless Steel

(2) Replace the □ with the grade required, e.g. 51.230.5CK, 51.230.7K