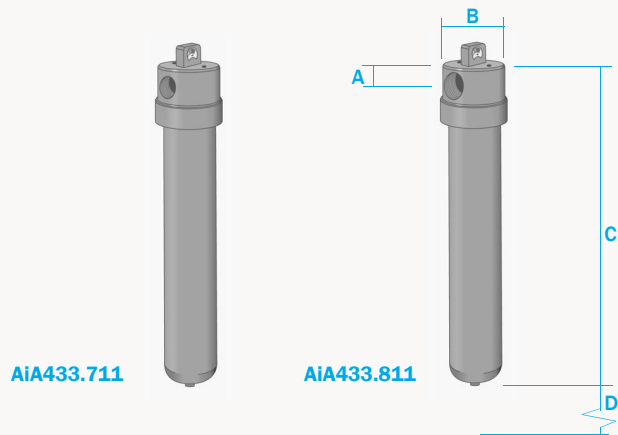


AA433 Series Housings

Aluminium
Pressure, 16 Bar
Ports, 1&1/2" or 2"
Element, 51.476.□



The AiA433 series filter housings have an anodised aluminium head, bowl and internals with a stainless steel tie rod. They are fitted with a differential pressure indicator and supplied with 1&1/2" or 2" ports and a range of drain options. These housings are suitable for compressed air systems and general filtration applications.

Standard housings have NPT ports and include Viton gaskets. Other gaskets types are available as an option. BSPT and BSPP port types are also available.

Principal Specifications

Housing Model	AiA433.711	AiA433.761	AiA433.771	AiA433.811	AiA433.861	AiA433.871
Port Size - NPT	1&1/2"	1&1/2"	1&1/2"	2"	2"	2"
Drain - NPT or other	1/8"	Manual	Automatic	1/8"	Manual	Automatic
Maximum Pressure - Bar	16	16	16	16	16	16
Maximum Temperature - °C	120	120	120	120	120	120
Materials of Construction (1)						
Head	AL	AL	AL	AL	AL	AL
Bowl	AL	AL	AL	AL	AL	AL
Internals	AL & SS	AL & SS	AL & SS	AL & SS	AL & SS	AL & SS
Gaskets	Viton	Viton	Viton	Viton	Viton	Viton
Principal Dimensions						
A - mm	35	35	35	35	35	35
B - mm	135	135	135	135	135	135
C - mm	640	650	640	640	650	640
D - mm	480	480	480	480	480	480
Volume - cc	2500	2500	2500	2500	2500	2500
Weight - kg	6.5	6.5	6.5	6.5	6.5	6.5
Accessories						
Standard Gasket Set	GVAA423	GVAA423	GVAA423	GVAA423	GVAA423	GVAA423
Nitrile Gasket Set	GNAA423	GNAA423	GNAA423	GNAA423	GNAA423	GNAA423
EPDM Gasket Set	GEAA423	GEAA423	GEAA423	GEAA423	GEAA423	GEAA423
Mounting Bracket	MBAiA42	MBAiA42	MBAiA42	MBAiA42	MBAiA42	MBAiA42
Filter Element Code (2)	51.476.□	51.476.□	51.476.□	51.476.□	51.476.□	51.476.□

Notes (1) Material abbreviations - AL = Aluminium, PA = Polyamide, EPDM = Ethylene-Propylene, SS = Stainless Steel

(2) Replace the □ with the grade required, e.g. 51.476.5CK, 51.476.7K