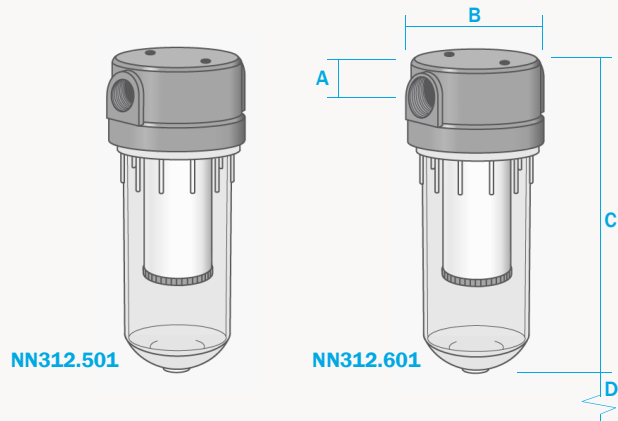


NN312 Series Housings

Polyamide
Pressure, 10 Bar
Ports, 3/4" or 1"
Element, 38.115.□



The NN312 series filter housings are constructed entirely from polyamide, the bowl uses a clear polyamide. They are supplied with 3/4" or 1" ports and have a range of drain options. These housings are suitable for compressed air systems and general filtration applications.

Standard housings have NPT ports and include Viton gaskets. Other gaskets types are available as an option. BSPT and BSPP port types are also available.

Principal Specifications

Housing Model	NN312.501	NN312.521	NN312.561	NN312.601	NN312.621	NN312.661
Port Size - NPT	3/4"	3/4"	3/4"	1"	1"	1"
Drain - NPT	None	1/4"	Manual	None	1/4"	Manual
Maximum Pressure - Bar	10	10	10	10	10	10
Maximum Temperature - °C	50	50	50	50	50	50
Materials of Construction (1)						
Head	PA	PA	PA	PA	PA	PA
Bowl	PA	PA	PA	PA	PA	PA
Internals	PA	PA	PA	PA	PA	PA
Gaskets	Viton	Viton	Viton	Viton	Viton	Viton
Principal Dimensions						
A - mm	23	23	23	23	23	23
B - mm	90	90	90	90	90	90
C - mm	220	220	230	220	220	230
D - mm	120	120	120	120	120	120
Volume - cc	510	510	510	510	510	510
Weight - kg	0.5	0.5	0.5	0.5	0.5	0.5
Accessories						
Standard Gasket Set	GVNN312	GVNN312	GVNN312	GVNN312	GVNN312	GVNN312
Nitrile Gasket Set	GNNN312	GNNN312	GNNN312	GNNN312	GNNN312	GNNN312
EPDM Gasket Set	GENN312	GENN312	GENN312	GENN312	GENN312	GENN312
Mounting Bracket	MBAN32	MBAN32	MBAN32	MBAN32	MBAN32	MBAN32
Filter Element Code (2)	38.115.□	38.115.□	38.115.□	38.115.□	38.115.□	38.115.□

Notes (1) Material abbreviations - PA - Polyamide, EPDM = Ethylene-Propylene
 (2) Replace the □ with the grade required, e.g. 38.115.5CK, 38.115.7K