

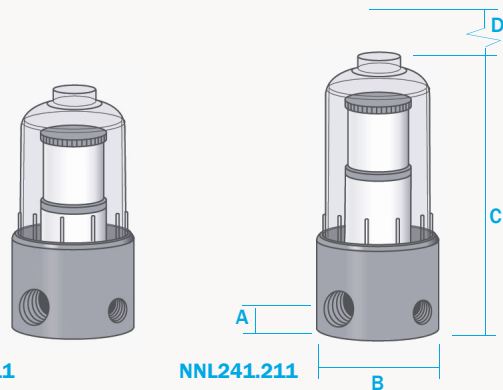
NNS & NNL Series Housings

Polyamide

Pressure, 7 Bar

Ports, 1/4" with 1/8" Drain

Element, 25.30.□ & 25.35.□



NNS241.211

NNL241.211

These filter housings are constructed from polyamide and the bowl also uses a clear polyamide, or they have the option of a polycarbonate bowl. The housings are fitted with a coalescing pre-filter and a particulate filter that are of different lengths making incorrect installation impossible. The short bowl type have a low internal volume for fast response times.

The housing is designed so the ports and drain connection are all arranged in the head. This means that the drain does not have to be disconnected to change the filter element.

Standard housings have NPT ports and include Viton gaskets.

Principal Specifications

Housing Model	NNS241.211	NCS241.211	NNL241.211	NCL241.211
Port Size - NPT	1/4"	1/4"	1/4"	1/4"
Drain - NPT	1/8"	1/8"	1/8"	1/8"
Maximum Pressure - Bar	7	7	7	7
Maximum Temperature - °C	50	50	50	50
Materials of Construction (1)				
Head & Internals	PA	PA	PA	PA
Bowl	PA	PC	PA	PC
Gaskets	Viton	Viton	Viton	Viton
Principal Dimensions				
A - mm	15	15	15	15
B - mm	60	60	60	60
C - mm	115	115	145	145
D - mm	70	70	85	85
Volume - cc	115	115	135	135
Weight - kg	0.2	0.2	0.2	0.2
Accessories				
Standard Gasket Set	GVNN241	GVNN241	GVNN241	GVNN241
Filter Element Code (2)				
Particulate	25.30.6K	25.30.6K	25.30.6K	25.30.6K
Coalescing	25.35.8CK	25.35.8CK	25.35.8CK	25.35.8CK

Notes (1) Material abbreviations - PA = Polyamide, PC = Polycarbonate

(2) Other filter element types are available for these housings