

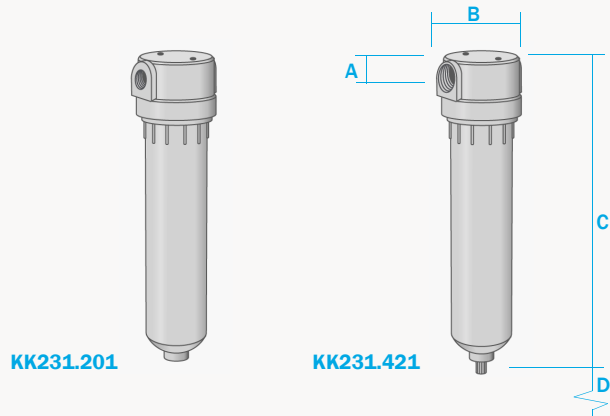
# KK231 Series Housings

**PVDF**

**Pressure, 7 Bar**

**Ports, 1/4" or 1/2"**

**Element, 25.178.□**



The KK231 series filter housings are constructed entirely from PVDF. They are supplied with 1/4" or 1/2" ports and have a range of drain options. These housings are specified where a good chemical resistance is required.

Standard housings have NPT ports and include Viton gaskets. Other gaskets types are available as an option. BSPT and BSPP port types are also available.

## Principal Specifications

Housing Model	KK231.201	KK231.221	KK231.261	KK231.401	KK231.421	KK231.461
Port Size - NPT	1/4"	1/4"	1/4"	1/2"	1/2"	1/2"
Drain - NPT	None	1/4"	Manual	None	1/4"	Manual
Maximum Pressure - Bar	7	7	7	7	7	7
Maximum Temperature - °C	120	120	120	120	120	120
<b>Materials of Construction (1)</b>						
Head	PVDF	PVDF	PVDF	PVDF	PVDF	PVDF
Bowl	PVDF	PVDF	PVDF	PVDF	PVDF	PVDF
Internals	PVDF	PVDF	PVDF	PVDF	PVDF	PVDF
Gaskets	Viton	Viton	Viton	Viton	Viton	Viton
<b>Principal Dimensions</b>						
A - mm	15	15	15	15	15	15
B - mm	65	65	65	65	65	65
C - mm	243	248	258	248	248	258
D - mm	190	190	190	190	190	190
Volume - cc	240	240	240	240	240	240
Weight - kg	0.3	0.3	0.3	0.3	0.3	0.3
<b>Accessories</b>						
Standard Gasket Set	GVNN212	GVNN212	GVNN212	GVNN212	GVNN212	GVNN212
Nitrile Gasket Set	GNNN212	GNNN212	GNNN212	GNNN212	GNNN212	GNNN212
EPDM Gasket Set	GENN212	GENN212	GENN212	GENN212	GENN212	GENN212
Kalrez Gasket Set	GKNN212	GKNN212	GKNN212	GKNN212	GKNN212	GKNN212
Mounting Bracket	MBAN21	MBAN21	MBAN21	MBAN21	MBAN21	MBAN21
Filter Element Code (2)	25.178.□	25.178.□	25.178.□	25.178.□	25.178.□	25.178.□

**Notes** (1) Material abbreviations - PVDF = Polyvinylidenedifluoride, EPDM = Ethylene-Propylene

(2) Replace the □ with the grade required, e.g. 25.178.5CK, 25.178.7K