

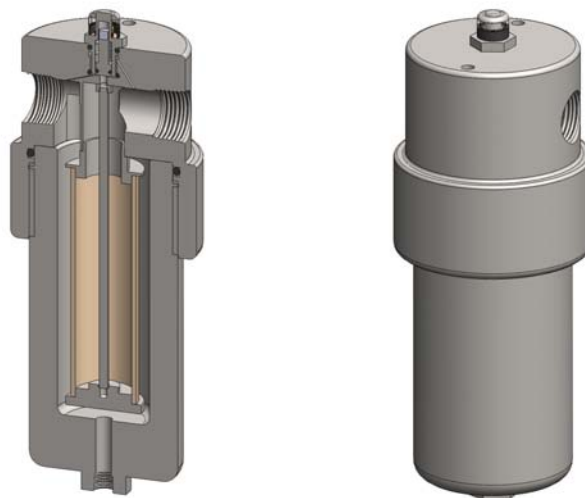
<b>Materials</b>	<b>316L Stainless Steel</b>
<b>Pressure</b>	<b>400 Bar</b>
<b>Ports</b>	<b>3/4" or 1"</b>
<b>Element</b>	<b>38.152.□</b>

The SS328 series filter housings with differential pressure indicator are specified for 400 Bar 3/4" and 1" line size applications. For applications up to 100 Bar see the SS325 series and for up to 200 Bar see the SS326 series.

Standard housings have NPT ports and Viton seals. Other seal types are available as an option. BSPT and BSPP port types are also available.

The housings are free from welds and comply with NACE MR-01-75 and are CE marked in accordance with PED 97/23/EC.

These housings can also be supplied in a wide range of exotic materials, such as Hastelloy, Monel, Titanium etc.



## Technical Specifications

Housing Model	SiS328.501	SiS328.521	SiS328.541	SiS328.601	SiS328.621	SiS328.641
Port Size	3/4" NPT	3/4" NPT	3/4" NPT	1" NPT	1" NPT	1" NPT
Drain	None	1/4" NPT	1/2" NPT	None	1/4" NPT	1/2" NPT
Maximum Pressure, Bar	400	400	400	400	400	400
Maximum Temperature, °C (1)	100	100	100	100	100	100
<b>Materials of Construction (2)</b>						
Head, Bowl & Internals	316L SS	316L SS	316L SS	316L SS	316L SS	316L SS
Seal (3)	Viton	Viton	Viton	Viton	Viton	Viton
Filter Elements Code (4)	38.152.□	38.152.□	38.152.□	38.152.□	38.152.□	38.152.□
Adsorber Cartridge Code (5)	38.152.AD□	38.152.AD□	38.152.AD□	38.152.AD□	38.152.AD□	38.152.AD□
<b>Principal Dimensions in mm</b>						
Diameter	110	110	110	110	110	110
Height	319	319	319	319	319	319
Volume, cc	710	710	710	710	710	710
Weight, kg	16.9	16.9	16.9	16.9	16.9	16.9
<b>Accessories</b>						
Support Core	SCSS32	SCSS32	SCSS32	SCSS32	SCSS32	SCSS32
Mounting Bracket	MBSIS328	MBSIS328	MBSIS328	MBSIS328	MBSIS328	MBSIS328

### Notes

- (1) Maximum temperature 100°C due to differential pressure indicator
- (2) Material abbreviations, 316L SS = 316L Stainless Steel
- (3) Add suffix for other seal types, Chemraz = .C, Nitrile = N, Kalrez = .K, EPDM = .E, Silicone = .S, (e.g. SS328.501.E)
- (4) Replace the □ with the grade required, e.g. 38.152.5CK, 38.152.S20V, 38.152.T20
- (5) Replace the □ with the type required, e.g. 38.152.AD01
- (6) Change part number to SeS328 for the electrical DPI version