

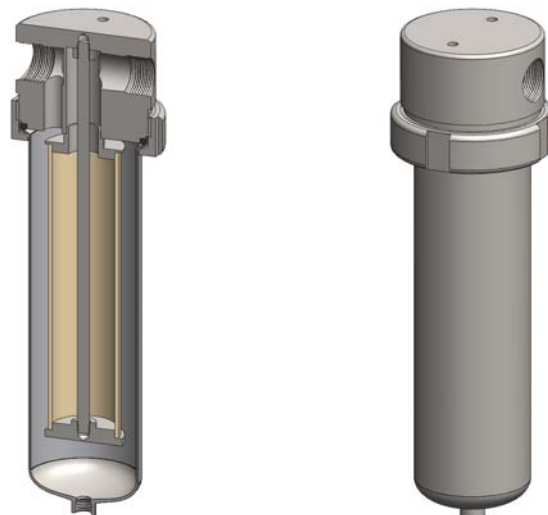
<b>Materials</b>	<b>316L Stainless Steel</b>
<b>Pressure</b>	<b>34 Bar</b>
<b>Ports</b>	<b>3/4" or 1"</b>
<b>Element</b>	<b>51.230.□</b>

SS424 series filter housings are specified for 3/4" and 1" line size applications up to 34 bar. For applications over 34 Bar higher pressure versions are available, see the SS425, SS426, and SS428 filter housings.

Standard housings have NPT ports and a Viton seal. Other seal types are available as an option. BSPT and BSPP port types are also available.

The housings are free from welds and comply with NACE MR-01-75 and are CE marked in accordance with PED 97/23/EC.

These housings can also be supplied in a wide range of exotic materials, such as Hastelloy, Monel, Titanium etc.



## Technical Specifications

Housing Model	SS424.521	SS424.621
Port Size	3/4" NPT	1" NPT
Drain	1/4" NPT	1/4" NPT
Maximum Pressure, Bar (1)	34	34
Maximum Temperature, °C (2)	200	200
<b>Materials of Construction (3)</b>		
Head, Bowl & Internals	316L SS	316L SS
Seal (4)	Viton	Viton
Filter Elements Code (5)	51.230.□	51.230.□
Adsorber Cartridge Code (6)	51.230.AD□	51.230.AD□
<b>Principal Dimensions in mm</b>		
Diameter	110	110
Height	388	643
Volume, cc	1350	1350
Weight, kg	7.8	7.8
<b>Accessories</b>		
Support Core	SCSS42	SCSS42
Mounting Bracket	MBSS42	MBSS42

### Notes

- (1) Above 200°C the pressure rating is reduced, consult us for the exact rating at any specific temperature
- (2) Maximum temperature 200°C using standard seal. For temperatures up to 324°C use a Chemraz seal
- (3) Material abbreviations, 316L SS = 316L Stainless Steel
- (4) Add suffix for other seal types, Chemraz = .C, Nitrile = N, Kalrez = .K, EPDM = .E, Silicone = .S, (e.g. SS424.521.N)
- (5) Replace the □ with the grade required, e.g. 51.230.5CK, 51.230.S20V, 51.230.T20
- (6) Replace the □ with the type required, e.g. 51.230.AD01