

NL141

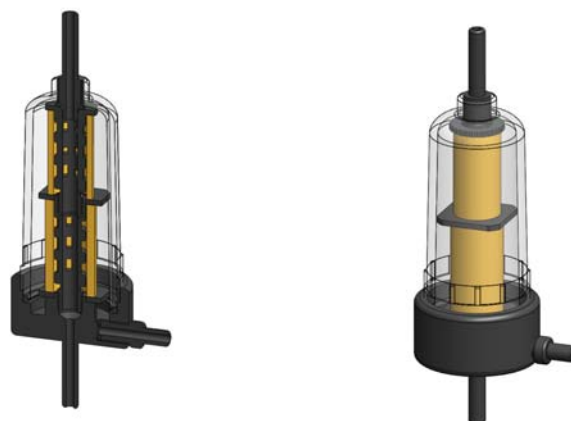
Twin Polyamide Filter Housing

| | |
|------------------|------------------------------|
| Materials | Polyamide |
| Pressure | 7 Bar |
| Ports | Ø1/4" or 1/8" NPT |
| Element | 12.32.□ & 12.35.□ |

NL141 series filter housings are constructed entirely from polyamide - the bowl uses a clear polyamide. They are supplied with 1/8" NPT ports or push-on type spigots.

The twin-element design allows both a coalescing element and particulate element to be installed in a single housing making them ideal for portable analyser applications.

Standard housings have a Viton seal. Other seal types are available as an option. BSPT and BSPP port types are also available.



Technical Specifications

| Housing Model | NL141.111 | NL121.269 |
|--------------------------------------|-----------|---------------|
| Port Size | 1/8" NPT | Ø 1/4" Spigot |
| Drain | 1/8" NPT | Manual |
| Maximum Pressure, Bar | 7 | 7 |
| Maximum Temperature, °C | 50 | 50 |
| Materials of Construction (1) | | |
| Head, Bowl & Internals | PA | PA |
| Seal (2) | Viton | Viton |
| Filter Element Code - 1st Stage (3) | 12.32.□ | 12.32.□ |
| Filter Element Code - 2nd Stage | 12.35.□ | 12.35.□ |
| Principal Dimensions in mm | | |
| Diameter | 45 | 45 |
| Height | 120 | 150 |
| Volume, cc | 55 | 55 |
| Weight, kg | 0.05 | 0.05 |

Notes

(1) Material abbreviations, PA = Polyamide

(2) Add suffix for other seal types, Chemraz = .C, Nitrile = N, Kalrez = .K, EPDM = .E, Silicone = .S, (e.g. NL141.111.E)

(3) Replace the □ with the grade required, e.g. 12.35.8CK, & 12.32.6K