

SV215 Inverted Coalescing Filter Housing

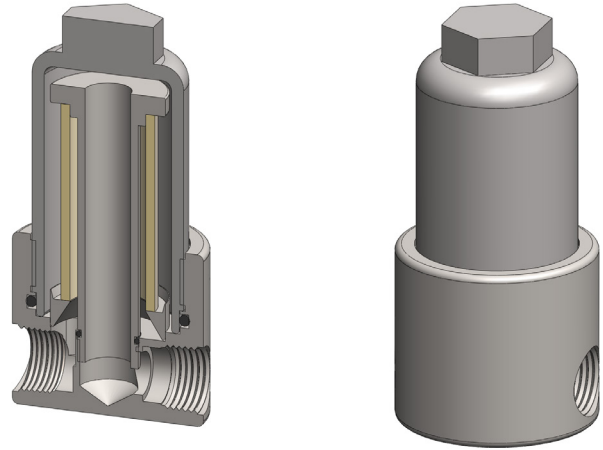
Materials	316L Stainless Steel
Pressure	1500 psi
Ports	1/4" or 1/2"
Element	25.64.□

SV215 series filter housings are specified for 1/4" & 1/2" line size coalescing applications. The housing is designed so the ports and drain connection are all arranged in the head. This means that the drain does not have to be disconnected to change the filter element and the element remains vertical which is the correct orientation for efficient coalescing.

Standard housings have NPT ports and Viton seals. Other seal types are available as an option. BSPT and BSPP port types are also available.

The housings are free from welds and comply with NACE MR-01-75 and conform to SEP of PED 97/23/EC.

These housings can also be supplied in a wide range of exotic materials, such as Hastelloy, Monel, Titanium etc.



Technical Specifications

Housing Model	SV215.221	SV215.421
Port Size	1/4" NPT	1/2" NPT
Drain	1/4" NPT	1/4" NPT
Maximum Pressure, psi (1)	1500	1500
Maximum Temperature, °F (2)	390	390
Materials of Construction (3)		
Head, Bowl & Internals	316L SS	316L SS
Seals (4)	Viton	Viton
Filter Element Code (5)	25.64.□	25.64.□
Principle Dimensions in inches		
Diameter	2.50	2.50
Height	5.05	5.05
Volume, cc	115	115
Weight, lbs	3.65	3.65
Accessories		
Mounting Bracket	MBSV215	MBSV215

Notes

- (1) Above 390°F the pressure rating is reduced, consult us for the exact rating at any specific temperature
- (2) Maximum temperature 390°F using standard seal. For temperatures up to 615°F use a Chemraz seal
- (3) Material abbreviations, 316L SS = 316L Stainless Steel
- (4) Add suffix for other seal types, Chemraz = .C, Nitrile = N, Kalrez = .K, EPDM = .E, Silicone = .S, (e.g. SV215.221.E)
- (5) Replace the □ with the grade required, e.g. 25.64.5CK



Contact Us

Classic Filters Ltd.
Sextant Park
Neptune Close
Rochester
Kent
England
ME2 4LU

T +44 (0)1634 724224
F +44 (0)1634 724234
E info@classicfilters.com
W www.classicfilters.com

Follow Us



[http://www.linkedin.com/company/classic-filters-ltd.](http://www.linkedin.com/company/classic-filters-ltd)



<http://www.twitter.com/classicfilters>