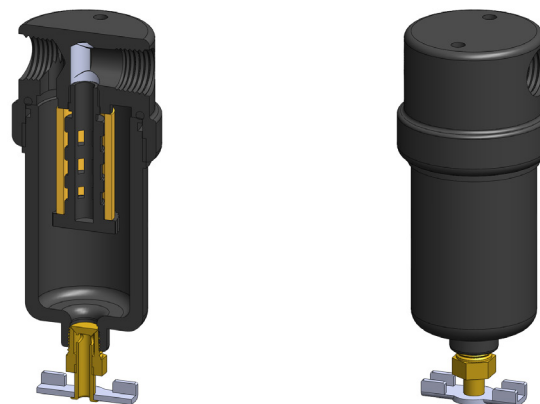


Materials	Aluminum
Pressure	250 psi
Ports	1/8" or 1/4"
Element	12.32.□

AA113 series filter housings have an anodised aluminum head and bowl with polyamide internals.

They are supplied with 1/8" or 1/4" ports and have a range of drain options. These housings are suitable for compressed air systems and general filtration applications.

Standard housings have NPT ports and Viton seals. Other seal types are available as an option. BSPT and BSPP port types are also available.



Technical Specifications

Housing Model	AA113.101	AA113.111	AA113.161	AA113.201	AA113.211	AA113.261
Port Size	1/8" NPT	1/8" NPT	1/8" NPT	1/4" NPT	1/4" NPT	1/4" NPT
Drain	None	1/8" NPT	Manual	None	1/8" NPT	Manual
Maximum Pressure, psi	250	250	250	250	250	250
Maximum Temperature, °F	250	250	250	250	250	250
Materials of Construction (1)						
Head & Bowl	AL	AL	AL	AL	AL	AL
Internals	PA	PA	PA	PA	PA	PA
Seals (2)	Viton	Viton	Viton	Viton	Viton	Viton
Filter Element Code (3)	12.32.□	12.32.□	12.32.□	12.32.□	12.32.□	12.32.□
Adsorber Cartridge Code (4)	12.32.AT□	12.32.AT□	12.32.AT□	12.32.AT□	12.32.AT□	12.32.AT□
Principle Dimensions in inches						
Diameter	1.55	1.55	1.55	1.55	1.55	1.55
Height	3.75	3.75	4.35	3.75	3.75	4.35
Volume, cc	35	35	35	35	35	35
Weight, lbs	0.35	0.35	0.35	0.35	0.35	0.35
Accessories						
Mounting Bracket	MBSS11	MBSS11	MBSS11	MBSS11	MBSS11	MBSS11

Notes

(1) Material abbreviations, AL = Aluminum, PA = Polyamide

(2) Add suffix for other seal types, Chemraz = .C, Nitrile = .N, Kalrez = .K, EPDM = .E, Silicone = .S, (e.g. AA113.201.E)

(3) Replace the □ with the grade required, e.g. 12.32.5CK, 12.32.S20V, 12.32.T20

(4) Replace the □ with the type required, e.g. 12.32.AT01



Contact Us

Classic Filters Ltd.
Sextant Park
Neptune Close
Rochester
Kent
England
ME2 4LU

T +44 (0)1634 724224
F +44 (0)1634 724234
E info@classicfilters.com
W www.classicfilters.com

Follow Us



[http://www.linkedin.com/company/classic-filters-ltd.](http://www.linkedin.com/company/classic-filters-ltd)



<http://www.twitter.com/classicfilters>