

# NL141

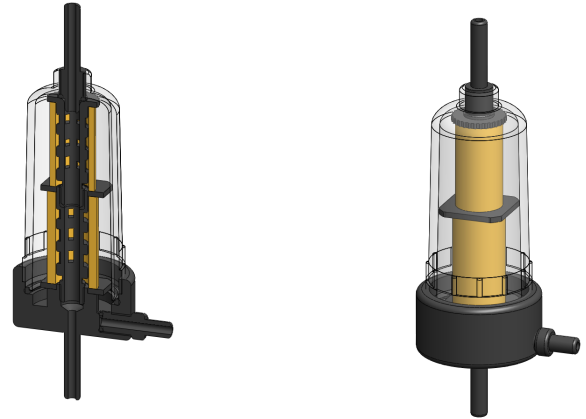
## Twin Polyamide Filter Housing

<b>Materials</b>	<b>Polyamide</b>
<b>Pressure</b>	<b>100 psi</b>
<b>Ports</b>	<b>Ø1/4" or 1/8" NPT</b>
<b>Element</b>	<b>12.32.□ &amp; 12.35.□</b>

NL141 series filter housings are constructed entirely from polyamide - the bowl uses a clear polyamide. They are supplied with 1/8" NPT ports or push-on type spigots.

The twin-element design allows both a coalescing element and particulate element to be installed in a single housing making them ideal for portable analyser applications.

Standard housings have a Viton seal. Other seal types are available as an option. BSPT and BSPP port types are also available.



### Technical Specifications

Housing Model	NL141.111	NL121.269
Port Size	1/8" NPT	Ø 1/4" Spigot
Drain	1/8" NPT	Manual
Maximum Pressure, psi	100	100
Maximum Temperature, °F	120	120
<b>Materials of Construction (1)</b>		
Head, Bowl & Internals	PA	PA
Seals (2)	Viton	Viton
Filter Element Code - 1st Stage (3)	12.32.□	12.32.□
Filter Element Code - 2nd Stage	12.35.□	12.35.□
<b>Principle Dimensions in inches</b>		
Diameter	1.75	1.75
Height	4.70	4.70
Volume, cc	55	55
Weight, lbs	0.10	0.10

#### Notes

- (1) Material abbreviations, PA = Polyamide
- (2) Add suffix for other seal types, Chemraz = .C, Nitrile = N, Kalrez = .K, EPDM = .E, Silicone = .S, (e.g. NL141.111.E)
- (3) Replace the □ with the grade required, e.g. 12.35.8CK, & 12.32.6K



## Contact Us

Classic Filters Ltd.  
Sextant Park  
Neptune Close  
Rochester  
Kent  
England  
ME2 4LU

T +44 (0)1634 724224  
F +44 (0)1634 724234  
E [info@classicfilters.com](mailto:info@classicfilters.com)  
W [www.classicfilters.com](http://www.classicfilters.com)

## Follow Us



[http://www.linkedin.com/company/classic-filters-ltd.](http://www.linkedin.com/company/classic-filters-ltd)



<http://www.twitter.com/classicfilters>