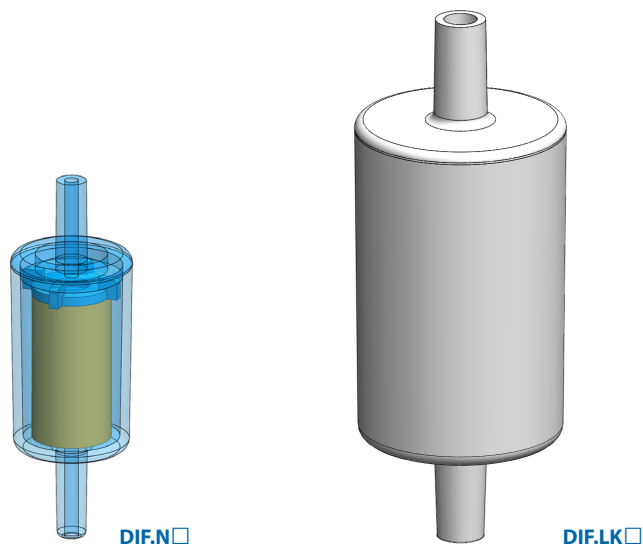


Materials Polyamide & PVDF
Pressure Up to 8 Bar
Ports 1/4" or 1/2" Spigots
Element 12.32.□ & 25.64.□

Disposable In-Line Filters (DIF) consist of permanently welded housings with encapsulated microfibre filter elements. This makes them ideal for portable analysers and other analysis systems requiring a robust and easily replaceable filter.

A choice of body materials makes them suitable for a wide range of chemical environments. The units on this page are designed for particulate removal in gas and liquid applications. The K type filter element is fitted as standard, but other element types can also be installed.

Replace the □ in the part number with the grade required, for example DIF.N5K



Technical Specifications

Housing Model (1)	DIF.N□	DIF.N□.6mm	DIF.K□	DIF.K□.6mm	DIF.LN□	DIF.LN□.201	DIF.LK□	DIF.LK□.201
Port Size	∅ 1/4" Spigot	∅ 6mm Spigot	∅ 1/4" Spigot	∅ 6mm Spigot	∅ 1/2" Spigot	∅ 1/4" NPT(M)	∅ 1/2" Spigot	∅ 1/4" NPT(M)
Maximum Pressure, Bar	8	8	4	4	8	8	4	4
Maximum Temperature, °C								
At 0 Bar	110	110	120	120	110	120	110	120
At Maximum Pressure,	50	50	50	50	50	50	50	50
Materials of Construction (2)								
Body	PA	PA	PVDF	PVDF	PA	PA	PVDF	PVDF
Filter Element Size	12.32	12.32	12.32	12.32	25.64	25.64	25.64	25.64
Standard Element (3)	KType	KType	KType	KType	KType	KType	KType	KType
Principal Dimensions in mm								
Diameter	25	25	25	25	51	51	51	51
Body Length	43.5	43.5	53.5	43.5	79	79	79	79
Spigot Length	20	20	20	20	24	24	24	24
Volume, cc	11	11	11	11	110	110	110	110

Notes

- (1) Replace the □ with the grade required, e.g. DIF.N5K
- (2) Material abbreviations, PA = Polyamide, PVDF = Polyvinylidenedifluoride
- (3) Other binder types available to order