

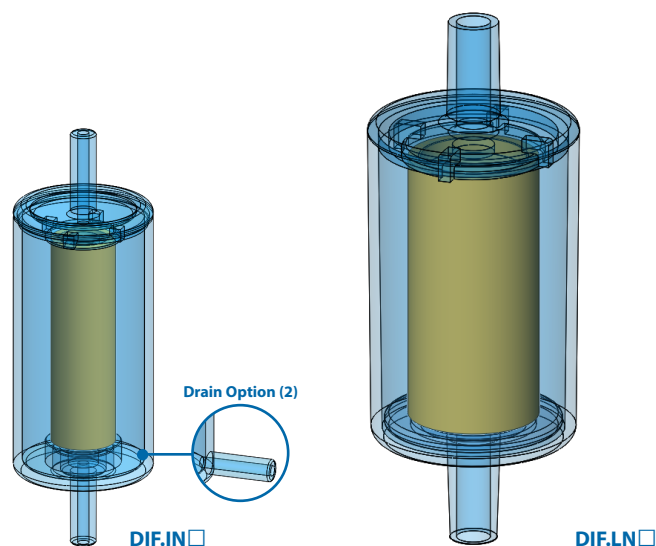
Materials	Polyamide & PVDF
Pressure	Up to 8 Bar
Ports	1/4" or 1/2" Spigots
Element	12.57.□ & 25.64.□

Disposable In-Line Filters (DIF.I & DIF.L) consist of permanently welded housings with encapsulated microfibre filter elements. This makes them ideal for portable analysers and other analysis systems requiring a robust and easily replaceable filter.

A choice of body materials makes them suitable for a wide range of chemical environments. The units on this page are designed for particulate removal in gas and liquid applications. The K type filter element is fitted as standard, but other element types can also be installed.

The DIF.IN & DIF.IK can be supplied with a drain port spigot for coalescing application.

Replace the □ in the part number with the grade required, for example DIF.LN5K



Technical Specifications

Housing Model (1&2)	DIF.IN□	DIF.IK□	DIF.LN□	DIF.LN□.201
Port Spigot Size	∅ 1/4"	∅ 1/4"	∅ 1/2"	1/4" NPT(M)
Maximum Pressure, Bar	8	4	8	8
Maximum Temperature, °C				
At 0 Bar	110	120	110	120
At Maximum Pressure,	50	50	50	50
Materials of Construction (3)				
Body	PA	PVDF	PA	PA
Filter Element Size	12.57	12.57	25.64	25.64
Standard Element (4)	K Type	K Type	K Type	K Type
Principal Dimensions in mm				
Diameter	36.5	36.5	51	51
Body Length	73.5	73.5	79	79
Spigot Length	20	20	24	24
Volume, cc	50	50	110	110

Notes

- (1) Replace the □ with the grade required, e.g. DIF.IN5K
- (2) DIF.IN and DIF.IK has the drain port option when fitted with a coalescing filter element e.g. DIF.IN5CK
- (3) Material abbreviations, PA = Polyamide, PVDF = Polyvinylidenedifluoride
- (4) Other binder types available to order