

Materials	316L Stainless Steel
Pressure	350 Bar
Ports	1/8", 1/4" & 1/2"
Element	12.32.□

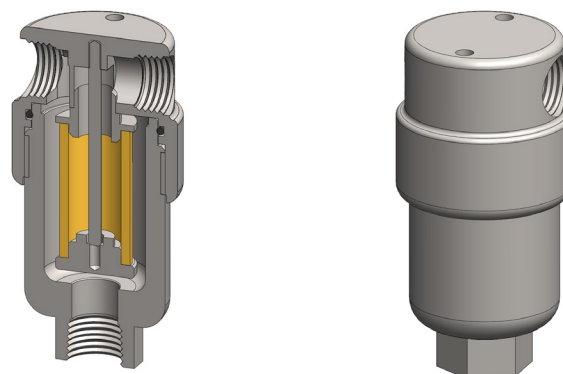
SS117 series filter housings are specified for 1/8" & 1/4" line size applications where response times are critical. When the flow rate or contamination levels are higher the SS127 series housings should be considered.

Higher pressure versions are available, see the SS119 series for applications up to 700 bar.

Standard housings have NPT ports and a Viton seal. Other seal types are available as an option. BSPT and BSPP port types are also available.

The housings are free from welds and comply with NACE MR-01-75 and are CE marked in accordance with PED 97/23/EC.

These housings can also be supplied in a wide range of exotic materials, such as Hastelloy, Monel, Titanium etc.



Technical Specifications

Housing Model	SS117.101	SS117.111	SS117.201	SS117.221	SS117.401	SS117.421
Port Size	1/8" NPT	1/8" NPT	1/4" NPT	1/4" NPT	1/2" NPT	1/2" NPT
Drain	None	1/8" NPT	None	1/4" NPT	None	1/4" NPT
Maximum Pressure, Bar (1)	350	350	350	350	350	350
Maximum Temperature, °C (2)	200	200	200	200	200	200
Materials of Construction (3)						
Head, Bowl & Internals	316L SS	316L SS	316L SS	316L SS	316L SS	316L SS
Seal (4)	Viton	Viton	Viton	Viton	Viton	Viton
Filter Element Code (5)	12.32.□	12.32.□	12.32.□	12.32.□	12.32.□	12.32.□
Adsorber Cartridge Code (6)	12.32.AS□	12.32.AS□	12.32.AS□	12.32.AS□	12.32.AS□	12.32.AS□
Principal Dimensions in mm						
Diameter	36	36	36	36	50	50
Height	78.5	78.5	78.5	78.5	90.5	90.5
Volume, cc	25	25	25	25	27.5	27.5
Weight, kg	0.38	0.38	0.38	0.38	0.77	0.77
Accessories						
Support Core	SCSS11	SCSS11	SCSS11	SCSS11	SCSS11	SCSS11
Mounting Bracket	MBSS11	MBSS11	MBSS11	MBSS11	MBSS11	MBSS11

Notes

- (1) Above 200°C the pressure rating is reduced, consult us for the exact rating at any specific temperature
- (2) Maximum temperature 200°C using standard seal. For temperatures up to 324°C use a Chemraz seal
- (3) Material abbreviations, 316L SS = 316L Stainless Steel
- (4) Add suffix for other seal types, PTFE = .T, Chemraz = .C, Nitrile = N, Kalrez = .K, EPDM = .E, Silicone = .S, (e.g. SS117.221.T)
- (5) Replace the □ with the grade required, e.g. 12.32.5CK, 12.32.S20V, 12.32.T20
- (6) Replace the □ with the type required, e.g. 12.32.AS01



Contact Us

Classic Filters Ltd.
Sextant Park
Neptune Close
Rochester
Kent
England
ME2 4LU

T +44 (0)1634 724224
F +44 (0)1634 724234
E info@classicfilters.com
W www.classicfilters.com

Follow Us



<http://www.linkedin.com/company/classic-filters-ltd.>



<http://www.twitter.com/classicfilters>