

<b>Materials</b>	<b>316L Stainless Steel</b>
<b>Pressure</b>	<b>400 Bar</b>
<b>Ports</b>	<b>1/4" or 1/2"</b>
<b>Element</b>	<b>25.64.□</b>

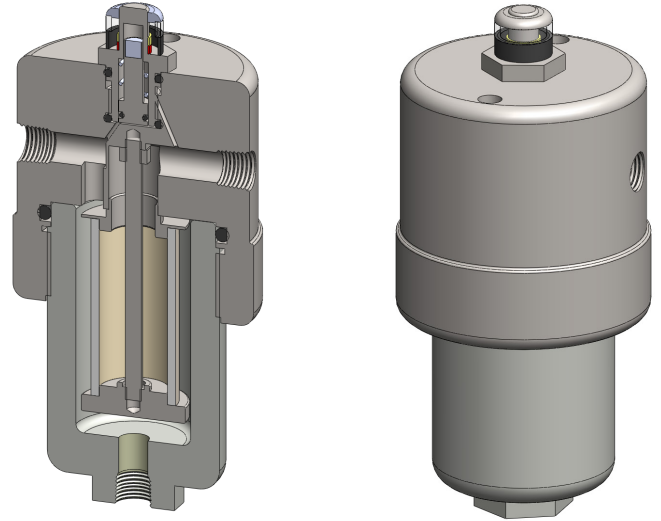
SiS218 series filter housings with differential pressure indicators are specified for 400 Bar 1/4" line size and for 1/2" applications where response time must be kept short. If the flow rate or contamination is high, or where service intervals must be kept as long as possible, SiS238 series housings should be considered. For applications up to 100 Bar see the SiS215 series and for up to 200 Bar see the SiS216 series.

Standard housings have NPT ports and Viton seals. Other seal types are available as an option. BSPT and BSPP port types are also available.

The housings are free from welds and comply with NACE MR-01-75 and are CE marked in accordance with PED 97/23/EC.

These housings can also be supplied in a wide range of exotic materials, such as Hastelloy, Monel, Titanium etc.

See data sheet CF/2.0/139 for more details about the DPI.



## Technical Specifications

Housing Model (1)	SiS218.201	SiS218.221	SiS218.401	SiS218.421	SiS218.441
Port Size	1/4" NPT	1/4" NPT	1/2" NPT	1/2" NPT	1/2" NPT
Drain	None	1/4" NPT	None	1/4" NPT	1/2" NPT
Maximum Pressure, Bar	400	400	400	400	400
Maximum Temperature, °C (2)	100	100	100	100	100
<b>Materials of Construction (3)</b>					
Head, Bowl & Internals	316L SS	316L SS	316L SS	316L SS	316L SS
Magnet (4)	Neodymium	Neodymium	Neodymium	Neodymium	Neodymium
Cover	Acrylic	Acrylic	Acrylic	Acrylic	Acrylic
Seals (5)	Viton	Viton	Viton	Viton	Viton
Filter Element Code (6)	25.64.□	25.64.□	25.64.□	25.64.□	25.64.□
<b>Principal Dimensions in mm</b>					
Diameter	85	85	85	85	85
Height	180	180	180	180	180
Volume, cc	160	160	160	160	160
Weight, kg	4.7	4.7	4.7	4.7	4.7
<b>Accessories</b>					
Support Core	SCSS21	SCSS21	SCSS21	SCSS21	SCSS21
Mounting Bracket	MBSiS218	MBSiS218	MBSiS218	MBSiS218	MBSiS218

### Notes

- (1) Change part number to SeS218 for the electrical DPI version
- (2) Maximum temperature 100°C due to differential pressure indicator
- (3) Material abbreviations, 316L SS = 316L Stainless Steel
- (4) The magnet is electroplated with Ni-Cu-Ni
- (5) Add suffix for other seal types, Chemraz = .C, Nitrile = N, Kalrez = .K, EPDM = .E, Silicone = .S, (e.g. SiS218.221.E)
- (6) Replace the □ with the grade required, e.g. 25.64.5CK, 25.64.S20V, 25.64.T20



## Contact Us

Classic Filters Ltd.  
Sextant Park  
Neptune Close  
Rochester  
Kent  
England  
ME2 4LU

T +44 (0)1634 724224  
F +44 (0)1634 724234  
E [info@classicfilters.com](mailto:info@classicfilters.com)  
W [www.classicfilters.com](http://www.classicfilters.com)

## Follow Us



<http://www.linkedin.com/company/classic-filters-ltd.>



<http://www.twitter.com/classicfilters>