

Materials 316L Stainless Steel
Pressure 200 Bar
Ports 3/4" or 1"
Element 38.152.□

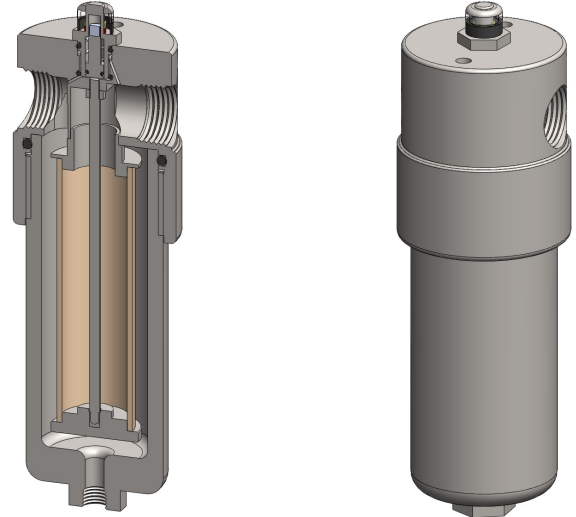
SiS326 series filter housings with differential pressure indicators are specified for 200 Bar 3/4" and 1" line size applications. For applications less than 100 Bar see the SiS325 series and for over 200 Bar see the SiS328 series.

Standard housings have NPT ports and Viton seals. Other seal types are available as an option. BSPT and BSPP port types are also available.

The housings are free from welds and comply with NACE MR-01-75 and are CE marked in accordance with PED 97/23/EC.

These housings can also be supplied in a wide range of exotic materials, such as Hastelloy, Monel, Titanium etc.

See data sheet CF/2.0/139 for more details about the DPI.



Technical Specifications

Housing Model (1)	SiS326.501	SiS326.521	SiS326.541	SiS326.601	SiS326.621	SiS326.641
Port Size	3/4" NPT	3/4" NPT	3/4" NPT	1" NPT	1" NPT	1" NPT
Drain	None	1/4" NPT	1/2" NPT	None	1/4" NPT	1/2" NPT
Maximum Pressure, Bar	200	200	200	200	200	200
Maximum Temperature, °C (2)	100	100	100	100	100	100
Materials of Construction (3)						
Head, Bowl & Internals	316L SS	316L SS	316L SS	316L SS	316L SS	316L SS
Magnet (4)	Neodymium	Neodymium	Neodymium	Neodymium	Neodymium	Neodymium
Cover	Acrylic	Acrylic	Acrylic	Acrylic	Acrylic	Acrylic
Seals (5)	Viton	Viton	Viton	Viton	Viton	Viton
Filter Element Code (6)	38.152.□	38.152.□	38.152.□	38.152.□	38.152.□	38.152.□
Principal Dimensions in mm						
Diameter	90	90	90	90	90	90
Height	290	290	290	290	290	290
Volume, cc	670	670	670	670	670	670
Weight, kg	7.5	7.5	7.5	7.5	7.5	7.5
Accessories						
Support Core	SCSS32	SCSS32	SCSS32	SCSS32	SCSS32	SCSS32
Mounting Bracket	MBSiS326	MBSiS326	MBSiS326	MBSiS326	MBSiS326	MBSiS326

Notes

- (1) Change part number to SeS326 for the electrical DPI version
- (2) Maximum temperature 100°C due to differential pressure indicator
- (3) Material abbreviations, 316L SS = 316L Stainless Steel
- (4) The magnet is electroplated with Ni-Cu-Ni
- (5) Add suffix for other seal types, Chemraz = .C, Nitrile = N, Kalrez = .K, EPDM = .E, Silicone = .S, (e.g. SiS326.221.E)
- (6) Replace the □ with the grade required, e.g. 38.152.5CK, 38.152.S20V, 38.152.T20



Contact Us

Classic Filters Ltd.
Sextant Park
Neptune Close
Rochester
Kent
England
ME2 4LU

T +44 (0)1634 724224
F +44 (0)1634 724234
E info@classicfilters.com
W www.classicfilters.com

Follow Us



<http://www.linkedin.com/company/classic-filters-ltd.>



<http://www.twitter.com/classicfilters>