

SS438 & SHS438 Filter Housing

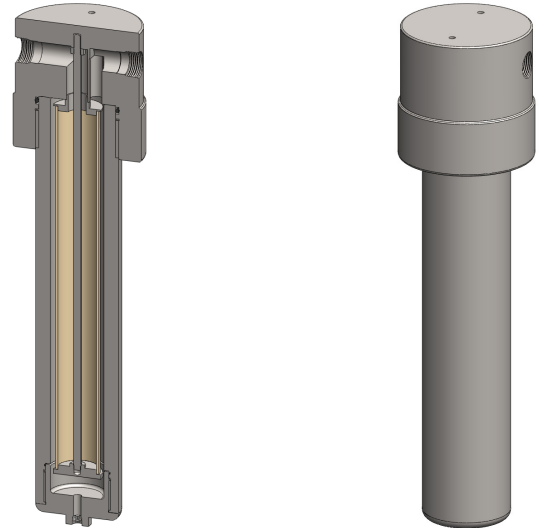
Materials	316L Stainless Steel
Pressure	400 Bar
Ports	1" to 2"
Element	51.476.□

SS438 series filter housings are specified for 1" line size applications up to 400 bar. The SHS438 series are for 1&1/2" and 2" applications and are designed to have a full bore flow path to give higher flow rates. For applications less than 200 bar see the SS435 and SS436 series filter housings.

Standard housings have NPT ports and Viton seals. Other seal types are available as an option. BSPT and BSPP port types are also available.

The housings are free from welds and comply with NACE MR-01-75 and are CE marked in accordance with PED 97/23/EC.

These housings can also be supplied in a wide range of exotic materials, such as Hastelloy, Monel, Titanium etc.



Technical Specifications

Housing Model	SS438.621	SS438.641	SHS438.721	SHS438.741	SHS438.821	SHS438.841
Port Size	1" NPT	1" NPT	1&1/2" NPT	1&1/2" NPT	2" NPT	2" NPT
Drain	1/4" NPT	1/2" NPT	1/4" NPT	1/2" NPT	1/4" NPT	1/2" NPT
Maximum Pressure, Bar (1)	400	400	400	400	400	400
Maximum Temperature, °C (2)	200	200	200	200	200	200
Materials of Construction (3)						
Head, Bowl & Internals	316L SS	316L SS	316L SS	316L SS	316L SS	316L SS
Seal (4)	Viton	Viton	Viton	Viton	Viton	Viton
Filter Element Code (5)	51.476.□	51.476.□	51.476.□	51.476.□	51.476.□	51.476.□
Adsorber Cartridge Code (6)	51.476.AD□	51.476.AD□	51.476.AD□	51.476.AD□	51.476.AD□	51.476.AD□
Principal Dimensions in mm						
Diameter	164	164	200	200	200	200
Height	655	655	734	734	744	744
Volume, cc	2550	2550	2600	2600	2600	2600
Weight, kg	49	49	86	86	89	89
Accessories						
Support Core	SCSS43	SCSS43	SCSS43	SCSS43	SCSS43	SCSS43
Mounting Bracket	MBSS42	MBSS42	MBSHS428	MBSHS428	MBSHS428	MBSHS428

Notes

(1) Above 200°C the pressure rating is reduced, consult us for the exact rating at any specific temperature

(2) Maximum temperature 200°C using standard seal. For temperatures up to 324°C use a Chemraz seal

(3) Material abbreviations, 316L SS = 316L Stainless Steel

(4) Add suffix for other seal types, Chemraz = .C, Nitrile = .N, Kalrez = .K, EPDM = .E, Silicone = .S, (e.g. SS438.621.N)

(5) Replace the □ with the grade required, e.g. 51.476.5CK, 51.476.S20V, 51.476.T20

(6) Replace the □ with the type required, e.g. 51.476.AD01



Contact Us

Classic Filters Ltd.
Sextant Park
Neptune Close
Rochester
Kent
England
ME2 4LU

T +44 (0)1634 724224
F +44 (0)1634 724234
E info@classicfilters.com
W www.classicfilters.com

Follow Us



<http://www.linkedin.com/company/classic-filters-ltd.>



<http://www.twitter.com/classicfilters>