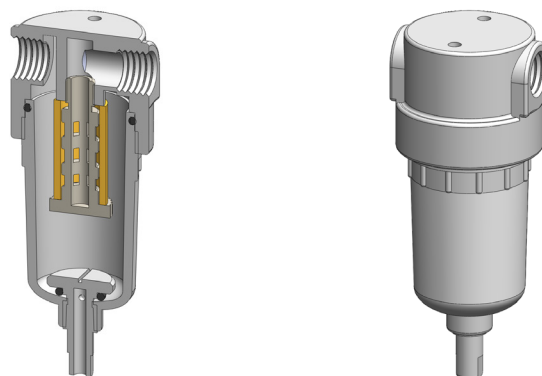


Materials Polypropylene
Pressure 7 Bar
Ports 1/8" or 1/4"
Element 12.32.□

PP111 series filter housings are constructed entirely from polypropylene. They are supplied with 1/8" or 1/4" ports and have a range of drain options.

These housings are specified where a good chemical resistance is required.

Standard housings have NPT ports and a Viton seal. Other seal types are available as an option. BSPT and BSPP port types are also available.



Technical Specifications

Housing Model	PP111.101	PP111.111	PP111.161	PP111.201	PP111.211	PP111.261
Port Size	1/8" NPT	1/8" NPT	1/8" NPT	1/4" NPT	1/4" NPT	1/4" NPT
Drain	None	1/8" NPT	Manual	None	1/8" NPT	Manual
Maximum Pressure, Bar	7	7	7	7	7	7
Maximum Temperature, °C	50	50	50	50	50	50
Materials of Construction (1)						
Head, Bowl & Internals	PP	PP	PP	PP	PP	PP
Seals (2)	Viton	Viton	Viton	Viton	Viton	Viton
Filter Element Code (3)	12.32.□	12.32.□	12.32.□	12.32.□	12.32.□	12.32.□
Adsorber Cartridge Code (4)	12.32.AT□	12.32.AT□	12.32.AT□	12.32.AT□	12.32.AT□	12.32.AT□
Principal Dimensions in mm						
Diameter	45	45	45	45	45	45
Height	96.5	96.5	111	96.5	96.5	111
Volume, cc	45	45	45	45	45	45
Weight, kg	0.04	0.04	0.04	0.04	0.04	0.04
Accessories						
Mounting Bracket	MBSS11	MBSS11	MBSS11	MBSS11	MBSS11	MBSS11

Notes

(1) Material abbreviations, PP = Polypropylene

(2) Add suffix for other seal types, Chemraz = .C, Nitrile = N, Kalrez = .K, EPDM = .E, Silicone = .S, (e.g. PP111.221.E)

(3) Replace the □ with the grade required, e.g. 12.32.5CK, 12.57.T20

(4) Replace the □ with the type required, e.g. 12.57.AT01



Contact Us

Classic Filters Ltd.
Sextant Park
Neptune Close
Rochester
Kent
England
ME2 4LU

T +44 (0)1634 724224
F +44 (0)1634 724234
E info@classicfilters.com
W www.classicfilters.com

Follow Us



<http://www.linkedin.com/company/classic-filters-ltd.>



<http://www.twitter.com/classicfilters>