

SS Vapour Adsorption Columns

Our 316L SS in-line Adsorption Housings are for the adsorption of various vapours and gas types within a gas stream and provide a simple, low-cost solution. Adsorption columns can also be used to remove specific elements of a gas, for example acidic gases.

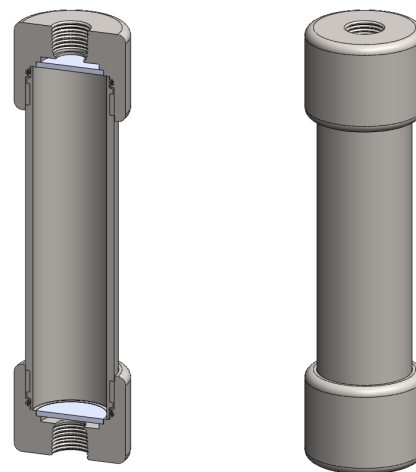
The media can easily be replaced as the housings have a threaded connection and o-ring seals at each end. Replaceable filter pads are included to contain the media and also remove any loose particles.

Special housings are available for higher pressure, different volumes and other port sizes.

Granular Adsorber Media

A range of granular adsorber materials are available and these are listed below together with the principle uses. We are pleased to advise about any special applications you may have.

The media is supplied in resealable plastic containers and two sizes are available, 1 litre or 4 litres.



SAD.32.160

Technical Specifications

Housing Model	SAD.32.160	SAD.32.300	SAD.48.180	SAD.48.340	SAD.72.200	SAD.72.400	SAD.72.600	SAD.100.400	SAD.100.600
Port Sizes	1/4" NPT	1/4" NPT	1/4" NPT	1/4" NPT	1/4" NPT	1/4" NPT	1/4" NPT	1/4" NPT	1/4" NPT
Maximum Pressure, Bar	150	150	100	100	75	75	75	50	50
Maximum Temperature, °C	100	100	100	100	100	100	100	100	100
Materials of Construction									
Body	316L SS	316L SS	316L SS	316L SS	316L SS	316L SS	316L SS	316L SS	316L SS
End Caps	316L SS	316L SS	316L SS	316L SS	316L SS	316L SS	316L SS	316L SS	316L SS
Filter Pads	PE	PE	PE	PE	PE	PE	PE	PE	PE
Principal Dimensions in mm									
Diameter	32	32	48	48	72	72	72	100	100
Height	160	295	180	340	205	390	575	410	605
Volume, cc	80	160	215	440	610	1255	1900	2700	4100

Grade	Adsorber	Principle Uses
01	Activated Carbon Granules	Removal of hydrocarbons and other organic vapours
03	Molecular Sieve 4A	Removal of CO ₂ , NH ₃ , H ₂ S, SO _x
04	Molecular Sieve 13X	Removal of CO ₂ , NH ₃ , H ₂ S, SO _x , aromatics, amines
05	Silica Gel (Blue)	Removal of water vapour
05a	Silica Gel (Orange)	Removal of water vapour
06	Mixed Bases (Soda Lime)	Removal of acidic gases, CO ₂ , SO _x , NO _x , HCl
07	Potassium Permanganate	Removal of SO _x and other acidic gases
08	Hopcalite	Removal of CO by catalytic conversions to CO ₂
11	Activated Carbon Granules	Removal of Glycol
12	Calcium Carbonate	Gas Scrubbing
14	Copper Sulphate	Removal of Ammonia
15	Ferrous Sulphate	Gas Scrubbing



Contact Us

Classic Filters Ltd.
Sextant Park
Neptune Close
Rochester
Kent
England
ME2 4LU

T +44 (0)1634 724224
F +44 (0)1634 724234
E info@classicfilters.com
W www.classicfilters.com

Follow Us



<http://www.linkedin.com/company/classic-filters-ltd.>



<http://www.twitter.com/classicfilters>