

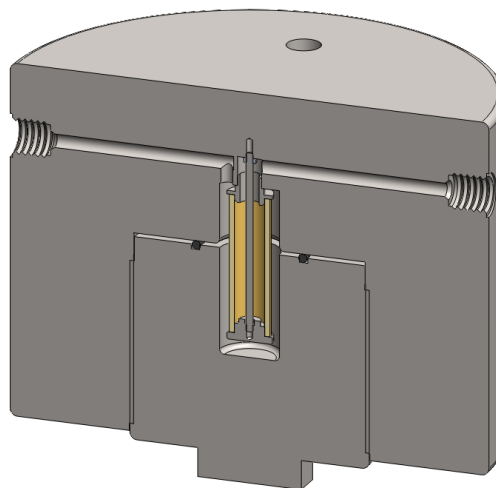
| | |
|------------------|----------------------------------|
| Materials | 316L Stainless Steel |
| Pressure | 1400 Bar |
| Ports | 1/4" & 3/8" C & T |
| Element | 12.57.□ |

SS1211 series filter housings are specified for applications up to 1400 Bar. For applications less than 1400 Bar see the SS127, SS129 and SS1210 series housings.

Standard housings have 1/4" & 3/8" coned and threaded ports and a Viton seal. Other port sizes and seal types are available as an option.

The housings are free from welds and comply with NACE MR-01-75 and are CE marked in accordance with PED 2014/68/EU.

These housings can also be supplied in a wide range of exotic materials, such as Hastelloy, Monel, Titanium etc.



Technical Specifications

| Housing Model | SS1211.205 | SS1211.225 | SS1211.305 | SS1211.335 |
|--------------------------------------|------------|------------|------------|------------|
| Port Size (1) | 1/4" C & T | 1/4" C & T | 3/8" C & T | 3/8" C & T |
| Drain | None | 1/4" C & T | None | 3/8" C & T |
| Maximum Pressure, Bar (2) | 1400 | 1400 | 1400 | 1400 |
| Maximum Temperature, °C (3) | 200 | 200 | 200 | 200 |
| Materials of Construction (4) | | | | |
| Head, Bowl & Internals | 316L SS | 316L SS | 316L SS | 316L SS |
| Seal (5) | Viton | Viton | Viton | Viton |
| Filter Element Code (6) | 12.57.□ | 12.57.□ | 12.57.□ | 12.57.□ |
| Adsorber Cartridge Code (7) | 12.57.AS□ | 12.57.AS□ | 12.57.AS□ | 12.57.AS□ |
| Principal Dimensions in mm | | | | |
| Diameter | 200 | 200 | 200 | 200 |
| Height | 165 | 165 | 165 | 165 |
| Volume, cc | 50 | 50 | 50 | 50 |
| Weight, kg | 37 | 37 | 37 | 37 |
| Accessories | | | | |
| Support Core | SC.SS12 | SC.SS12 | SC.SS12 | SC.SS12 |
| Mounting Bracket | MB.SS428 | MB.SS428 | MB.SS428 | MB.SS428 |

Notes

(1) C & T = Coned and Threaded connection

(2) Above 200°C the pressure rating is reduced, consult us for the exact rating at any specific temperature

(3) Maximum temperature 200°C using standard seal. For temperatures up to 324°C use a Chemraz seal

(4) Material abbreviations, 316L SS = 316L Stainless Steel

(5) Add suffix for other seal types, Chemraz = .C, Nitrile = .N, Kalrez = .K, EPDM = .E, Silicone = .S, (e.g. SS1211.221.E)

(6) Replace the □ with the grade required, e.g. 12.57.5CK, 12.57.S20V, 12.57.T20

(7) Replace the □ with the type required, e.g. 12.57.AS01



Contact Us

Classic Filters Ltd.
Sextant Park
Neptune Close
Rochester
Kent
England
ME2 4LU

T +44 (0)1634 724224
F +44 (0)1634 724234
E info@classicfilters.com
W www.classicfilters.com

Follow Us



[http://www.linkedin.com/company/classic-filters-ltd.](http://www.linkedin.com/company/classic-filters-ltd)



<http://www.twitter.com/classicfilters>