

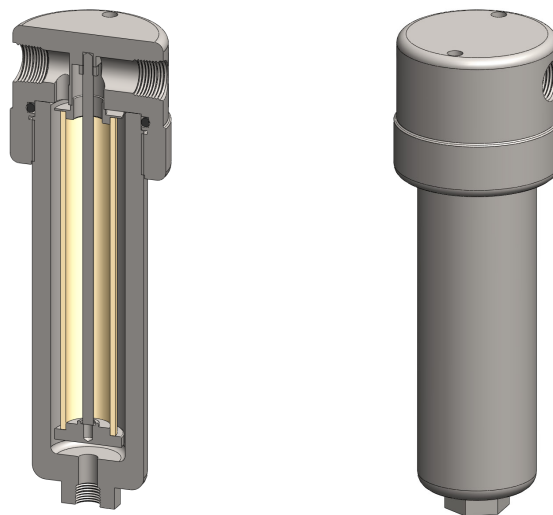
Materials 316L Stainless Steel
Pressure 400 Bar
Ports 1/4" or 1/2"
Element 25.178.□

SS238 series filter housings are specified for 400 Bar 1/4" & 1/2" applications where the flow rate or contamination is high, or where service intervals must be kept as long as possible. For applications up to 100 Bar see the SS235 series housings and for up to 200 Bar see the SS236. The SS218 series offers a more compact design for lower flow rates.

Standard housings have NPT ports and a Viton seal. Other seal types are available as an option. BSPT and BSPP port types are also available.

The housings are free from welds and comply with NACE MR-01-75 and are CE marked in accordance with PED 2014/68/EU.

These housings can also be supplied in a wide range of exotic materials, such as Hastelloy, Monel, Titanium etc.



Technical Specifications

Housing Model	SS238.201	SS238.221	SS238.401	SS238.421	SS238.441
Port Size	1/4" NPT	1/4" NPT	1/2" NPT	1/2" NPT	1/2" NPT
Drain	None	1/4" NPT	None	1/4" NPT	1/2" NPT
Maximum Pressure, Bar (1)	400	400	400	400	400
Maximum Temperature, °C (2)	200	200	200	200	200
Materials of Construction (3)					
Head, Bowl & Internals	316L SS	316L SS	316L SS	316L SS	316L SS
Seal (4)	Viton	Viton	Viton	Viton	Viton
Filter Element Code (5)	25.178.□	25.178.□	25.178.□	25.178.□	25.178.□
Adsorber Cartridge Code (6)	25.178.AD□	25.178.AD□	25.178.AD□	25.178.AD□	25.178.AD□
Principal Dimensions in mm					
Diameter	85	85	85	85	85
Height	264	264	264	264	264
Volume, cc	320	320	320	320	320
Weight, kg	5.70	5.70	5.70	5.70	5.70
Accessories					
Support Core	SC.SS23	SC.SS23	SC.SS23	SC.SS23	SC.SS23
Mounting Bracket	MB.SS218	MB.SS218	MB.SS218	MB.SS218	MB.SS218

Notes

- (1) Above 200°C the pressure rating is reduced, consult us for the exact rating at any specific temperature
- (2) Maximum temperature 200°C using standard seal. For temperatures up to 324°C use a Chemraz seal
- (3) Material abbreviations, 316L SS = 316L Stainless Steel
- (4) Add suffix for other seal types, PTFE = .T, Chemraz = .C, Nitrile = N, Kalrez = .K, EPDM = .E, Silicone = .S, (e.g. SS238.221.T)
- (5) Replace the □ with the grade required, e.g. 25.178.5CK, 25.178.S20V, 25.178.T20
- (6) Replace the □ with the type required, e.g. 25.178.AD01



Contact Us

Classic Filters Ltd.
Sextant Park
Neptune Close
Rochester
Kent
England
ME2 4LU

T +44 (0)1634 724224
F +44 (0)1634 724234
E info@classicfilters.com
W www.classicfilters.com

Follow Us



<http://www.linkedin.com/company/classic-filters-ltd.>



<http://www.twitter.com/classicfilters>